



# contents





## CONTENTS

About Us	3
Shower Hinges	4
Shower Clamps	14
Handles, Knobs & Towel Rails	26
Metal Profiles	32
Seals	38
Stabilisers	46
Glass Shelf Clamps	50
Bathroom Locks	54
Bathroom Accessories	58
Sliding Showers	60
Balustrades	66
Patch Fittings	74
Shopfront Handles	82
Door Systems	84
Chemical Treatments	90
Software	94



**NOTE:** The deductions, technical drawings and specifications in this catalogue are intended as guidelines only and might differ from the actual product supplied.

# arema

LATEST PRODUCTS



# about us

Since 2010, Schematech has been at the cutting edge of architectural glass hardware. We have a strong focus on developing new products and as a testament to our innovation, we boast one of the most diverse and unique inventories in our field.

Our efforts are guided by the following three principles:



## VALUE

Providing our customers with the products they need at a good price is just the beginning. By choosing to deal with us, our customers should receive extra value. To this end we offer technical support, training and software aimed at making the jobs of our customers easier.

## SERVICE

Prompt delivery isn't enough. By choosing to deal with us, our customers have earned a partner that goes the extra mile. In this spirit, we respond to our customers needs irrespective of what we have in stock.



## QUALITY

Reliability is a given. By choosing to deal with us, our customers deserve an attention to detail. That is why we worry about the small things like superior fixings and high grade gaskets.





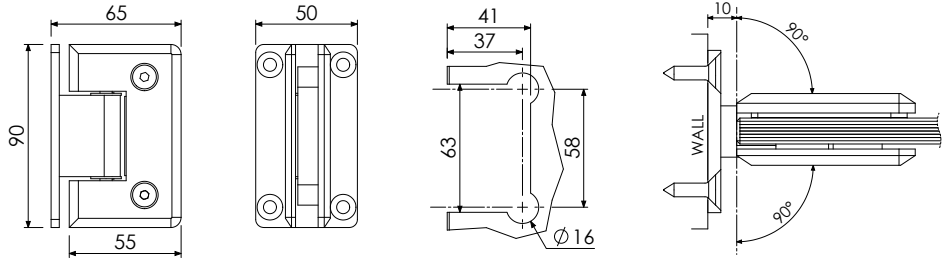
# shower hinges

Our wide range of stylish hinges has been created to combine top-quality solutions with visually stunning designs. Choose a solution from our diverse and unique inventory.



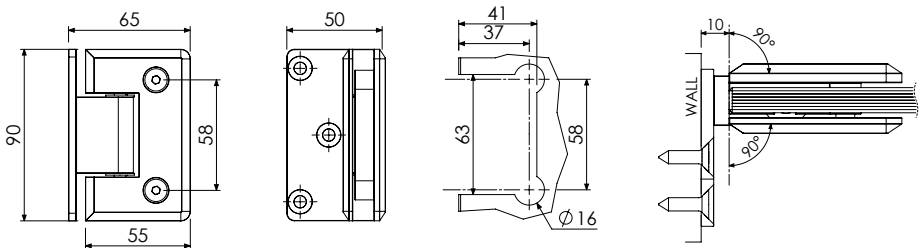
**BEVEL 90° WALL TO GLASS HINGE - FULL PLATE**

Code	Material	Finish	Weight	Glass Thickness
SDH-301-90**	Brass	Bright Chrome Plated	45 kg	6-12mm
SDH-501-90	S/S 304	Bright Polished	45 kg	6-12mm
SDH-701-90	Brass	Bright Chrome Plated	45 kg	6-12mm



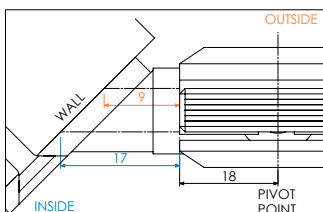
**BEVEL 90° WALL TO GLASS HINGE - HALF PLATE**

Code	Material	Finish	Weight	Glass Thickness
SDH-301-90HP**	Brass	Bright Chrome Plated	45 kg	6-12mm
SDH-501-90HP	S/S 304	Bright Polished	45 kg	6-12mm
SDH-701-90HP	Brass	Bright Chrome Plated	45 kg	6-12mm
SDH-711-90HP*	Brass	Satin Chrome Plated	45 kg	6-12mm
SDH-791-90HP	Brass	Matte Black	45 kg	6-12mm

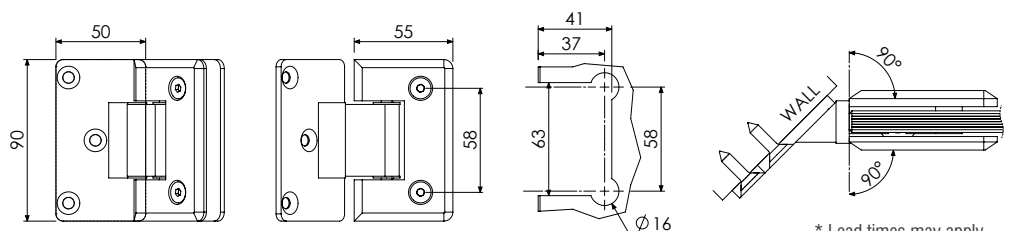


**BEVEL 135° WALL TO GLASS HINGE**

Code	Material	Finish	Weight	Glass Thickness
SDH-701-135	Brass	Bright Chrome Plated	45 kg	6-12mm



Calculated for 8mm glass.

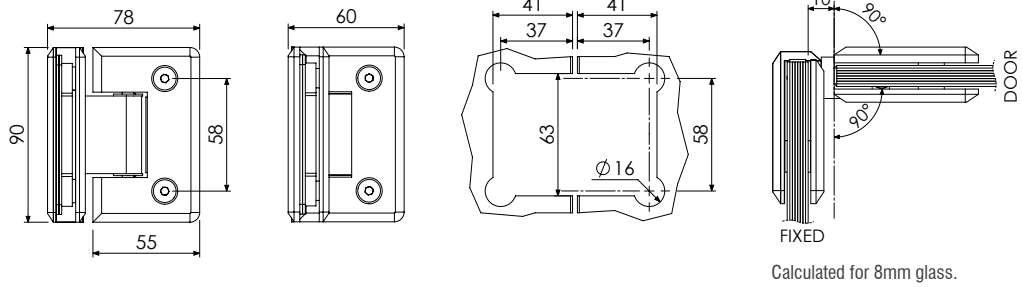


\* Lead times may apply.  
\*\* Adjustable Series.



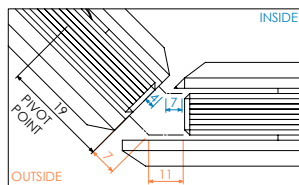
**BEVEL 90° GLASS TO GLASS HINGE**

Code	Material	Finish	Weight	Glass Thickness
SDH-502-90	S/S 304	Bright Polished	45 kg	6-12mm
SDH-702-90	Brass	Bright Chrome Plated	45 kg	6-12mm

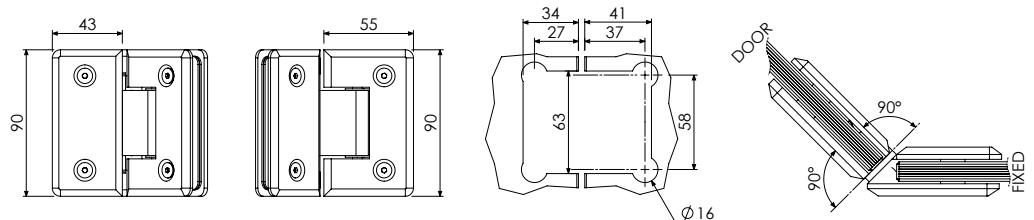


**BEVEL 135° GLASS TO GLASS HINGE (UNEQUAL CUT OUT)**

Code	Material	Finish	Weight	Glass Thickness
SDH-502-135	S/S 304	Bright Polished	45 kg	6-12mm
SDH-702-135	Brass	Bright Chrome Plated	45 kg	6-12mm
SDH-712-135*	Brass	Satin Chrome Plated	45 kg	6-12mm
SDH-792-135	Brass	Matte Black	45 kg	6-12mm

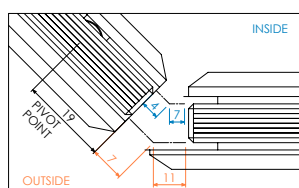


Calculated for 8mm glass.

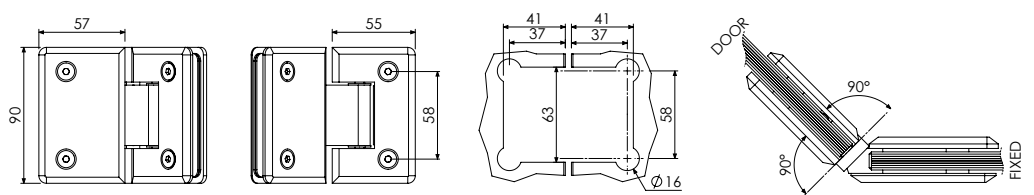


**BEVEL 135° GLASS TO GLASS HINGE (EQUAL CUT OUT)**

Code	Material	Finish	Weight	Glass Thickness
SDH-502-135EC	S/S 304	Bright Polished	45 kg	6-12mm
SDH-702-135EC*	Brass	Bright Chrome Plated	45 kg	6-12mm



Calculated for 8mm glass.



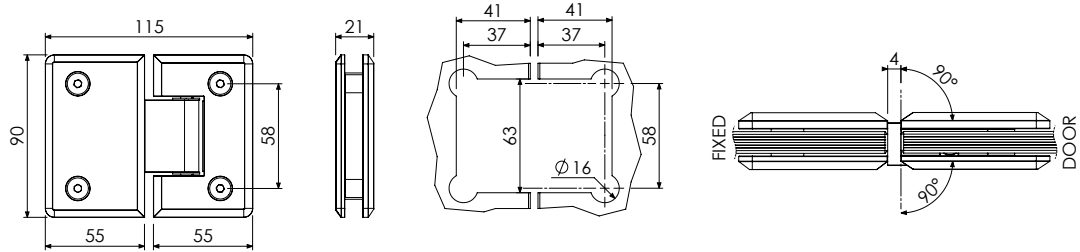
\* Lead times may apply.





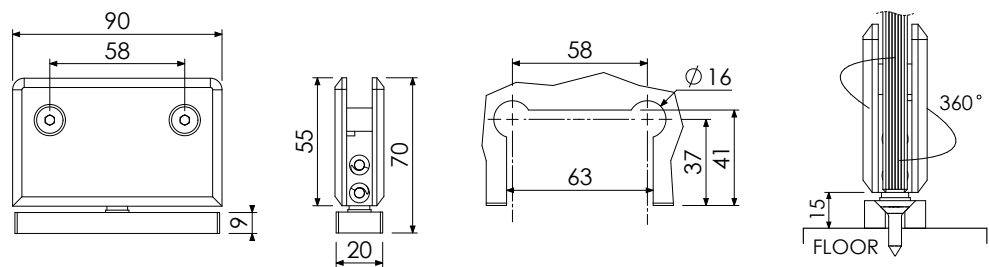
**BEVEL 180° GLASS TO GLASS HINGE**

Code	Material	Finish	Weight	Glass Thickness
SDH-302-180**	Brass	Bright Chrome Plated	45 kg	6-12mm
SDH-502-180	S/S 304	Bright Polished	45 kg	6-12mm
SDH-702-180	Brass	Bright Chrome Plated	45 kg	6-12mm
SDH-712-180*	Brass	Satin Chrome Plated	45 kg	6-12mm
SDH-792-180	Brass	Matte Black	45 kg	6-12mm



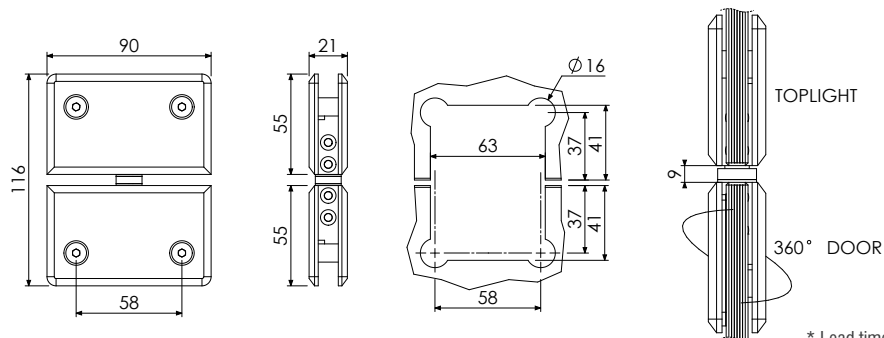
**BEVEL 360° GLASS TO WALL PIVOT HINGE**

Code	Material	Finish	Weight	Glass Thickness
SDH-704-360	Brass	Bright Chrome Plated	45 kg	6-12mm

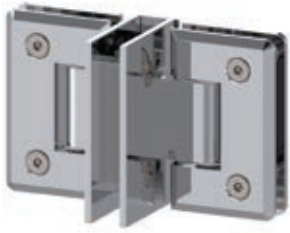


**BEVEL 360° GLASS TO GLASS PIVOT HINGE**

Code	Material	Finish	Weight	Glass Thickness
SDH-708-360	Brass	Bright Chrome Plated	45 kg	6-12mm

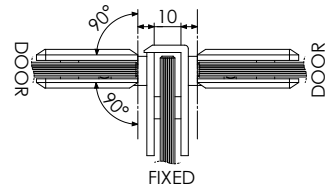
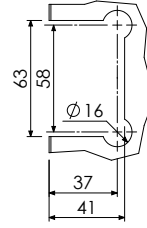
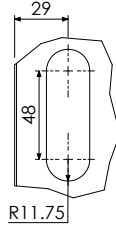
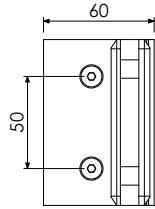
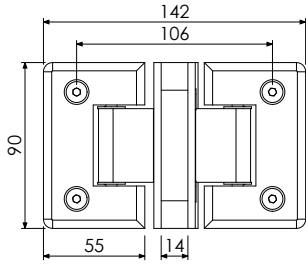


\* Lead times may apply.  
\*\* Adjustable Series.



**BEVEL GLASS TO GLASS TEE HINGE 90°**

Code	Material	Finish	Weight	Glass Thickness
H100T	Brass	Bright Chrome Plated	45 kg	6-12mm



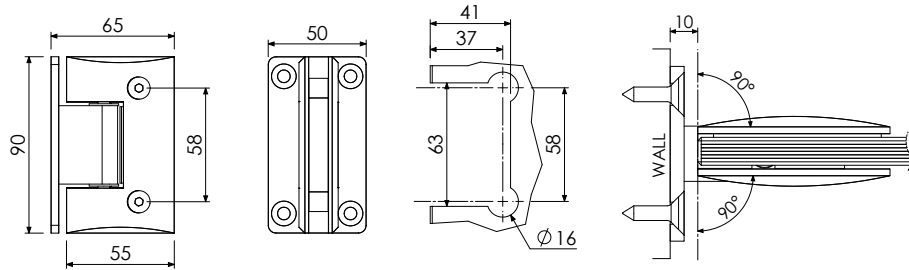
Calculated for 8mm glass.





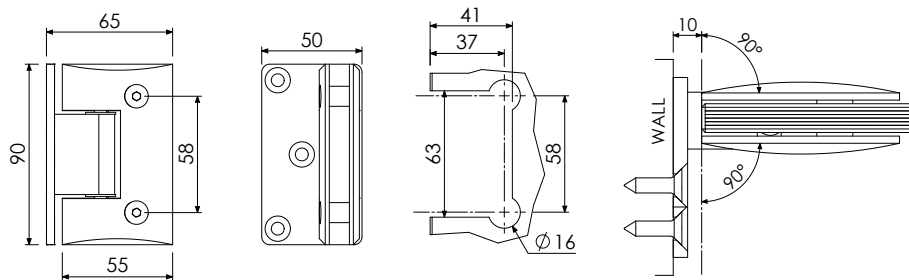
**DOME 90° WALL TO GLASS HINGE - FULL PLATE**

Code	Material	Finish	Weight	Glass Thickness
SDH-801-90	Brass	Bright Chrome Plated	45 kg	6-12mm



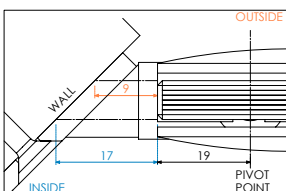
**DOME 90° WALL TO GLASS HINGE - HALF PLATE**

Code	Material	Finish	Weight	Glass Thickness
SDH-801-90HP	Brass	Bright Chrome Plated	45 kg	6-12mm
SDH-811-90HP	Brass	Satin Chrome Plated	45 kg	6-12mm
SDH-901-90HP	Zinc	Bright Chrome Plated	35 kg	6-10mm

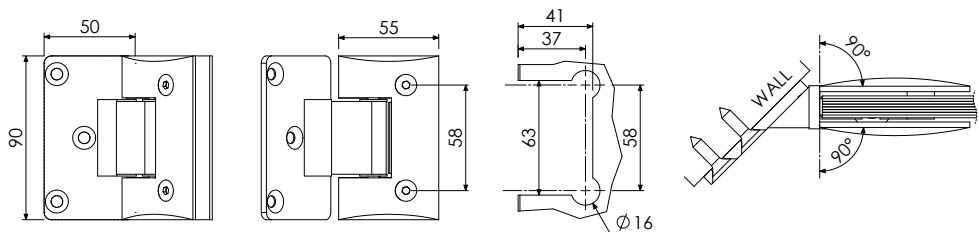


**DOME 135° WALL TO GLASS HINGE**

Code	Material	Finish	Weight	Glass Thickness
SDH-801-135	Brass	Bright Chrome Plated	45 kg	6-12mm



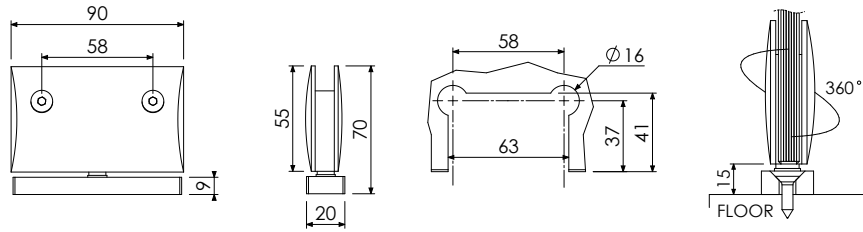
Calculated for 8mm glass.





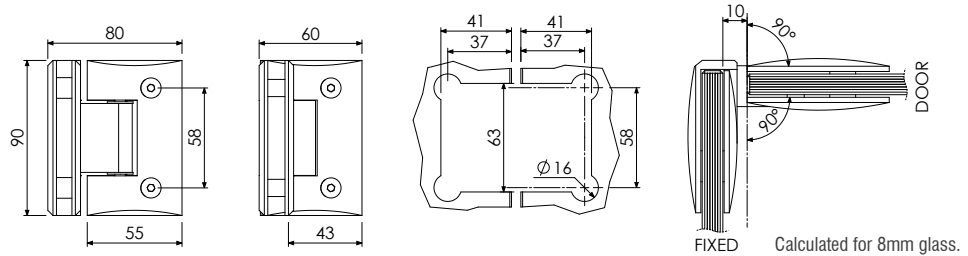
**DOME 360° GLASS TO WALL PIVOT HINGE**

Code	Material	Finish	Weight	Glass Thickness
SDH-801-360	Brass	Bright Chrome Plated	45 kg	6-12mm
SDH-811-360	Brass	Satin Chrome Plated	45 kg	6-12mm



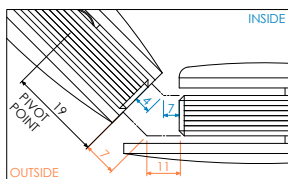
**DOME 90° GLASS TO GLASS HINGE**

Code	Material	Finish	Weight	Glass Thickness
SDH-802-90	Brass	Bright Chrome Plated	45 kg	6-12mm
SDH-802-90A	Brass	Bright Chrome Plated	45 kg	6-12mm
SDH-812-90	Brass	Satin Chrome Plated	45 kg	6-12mm
SDH-902-90	Zinc	Bright Chrome Plated	35 kg	6-10mm

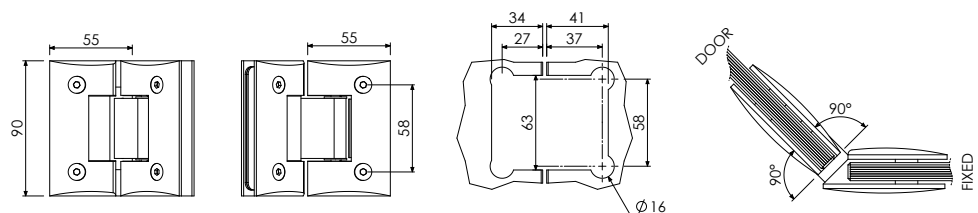


**DOME 135° GLASS TO GLASS HINGE**

Code	Material	Finish	Weight	Glass Thickness
SDH-802-135	Brass	Bright Chrome Plated	45 kg	6-12mm
SDH-802-135A	Brass	Bright Chrome Plated	45 kg	6-12mm
SDH-812-135	Brass	Satin Chrome Plated	45 kg	6-12mm
SDH-902-135	Zinc	Bright Chrome Plated	35 kg	6-10mm



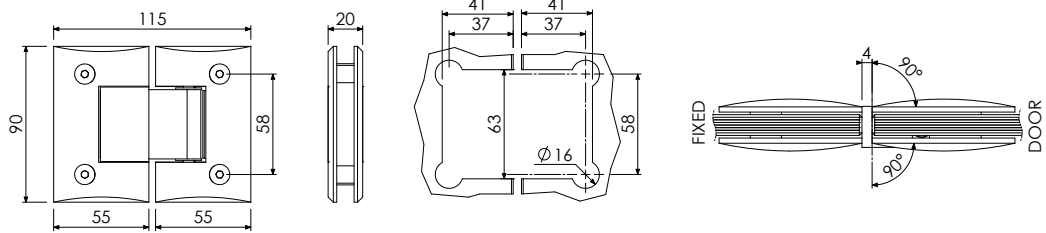
Calculated for 8mm glass.





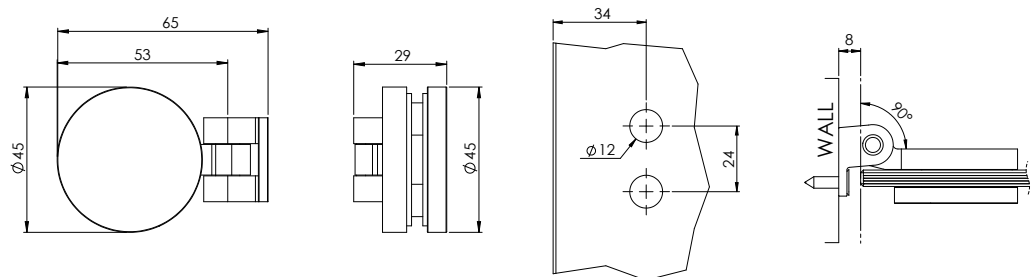
**DOMO 180° GLASS TO GLASS HINGE**

Code	Material	Finish	Weight	Glass Thickness
SDH-802-180	Brass	Bright Chrome Plated	45 kg	6-12mm
SDH-812-180	Brass	Satin Chrome Plated	45 kg	6-12mm
SDH-902-180	Zinc	Bright Chrome Plated	35 kg	6-10mm



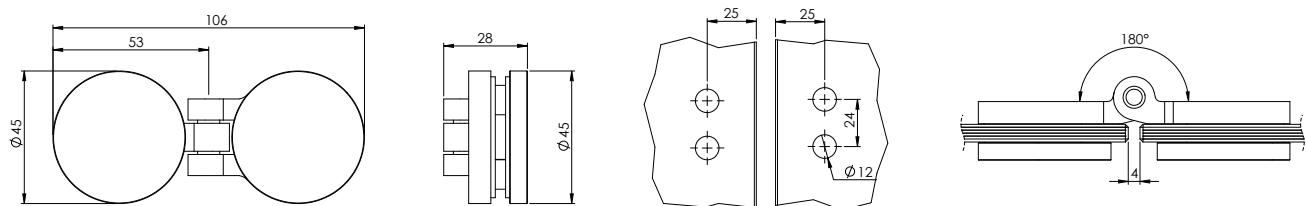
**DIOSA 90° WALL TO GLASS HINGE**

Code	Material	Finish	Weight	Glass Thickness
OXB-746	Brass	Bright Chrome Plated	25 kg	6-8mm



**DIOSA 180° GLASS TO GLASS HINGE**

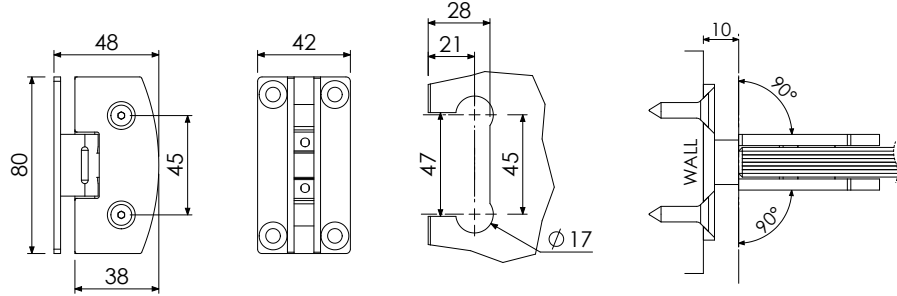
Code	Material	Finish	Weight	Glass Thickness
OXB-745	Brass	Bright Chrome Plated	25 kg	6-8mm





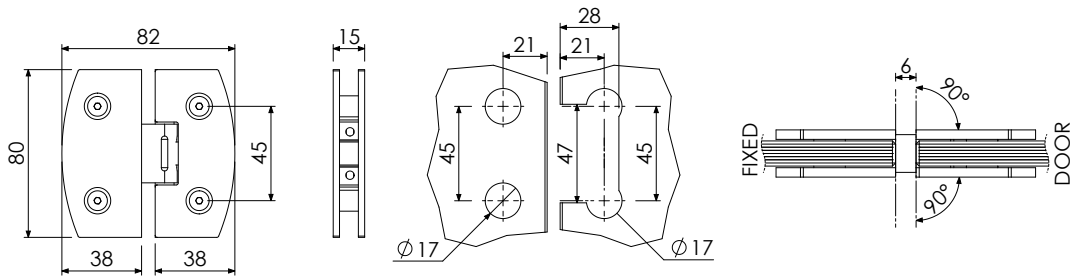
**FLAT 90° WALL TO GLASS HINGE - FULL PLATE**

Code	Material	Finish	Weight	Glass Thickness
GDH-602	S/S 304	Bright Polished	25 kg	6-10mm



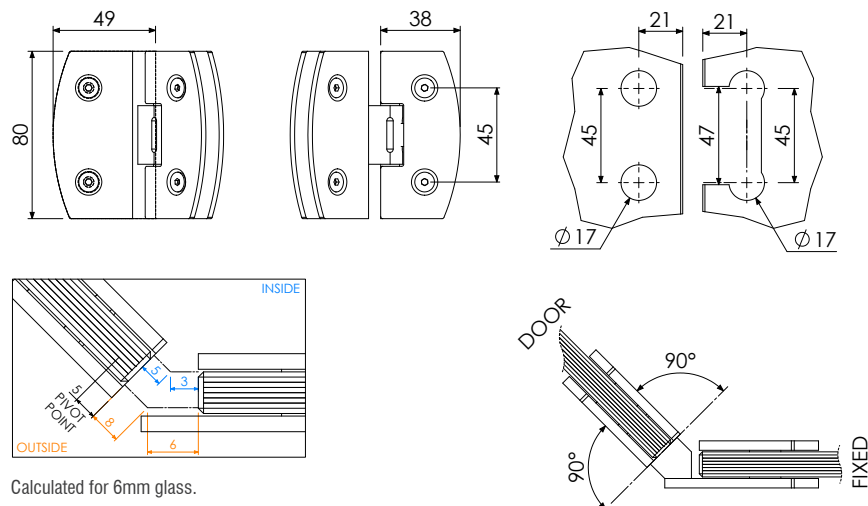
**FLAT 180° GLASS TO GLASS HINGE**

Code	Material	Finish	Weight	Glass Thickness
GDH-603	S/S 304	Bright Polished	25 kg	6-10mm



**FLAT 135° GLASS TO GLASS HINGE**

Code	Material	Finish	Weight	Glass Thickness
GDH-604	S/S 304	Bright Polished	25 kg	6-10mm

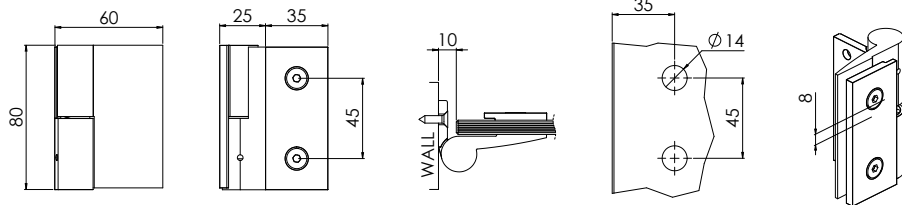
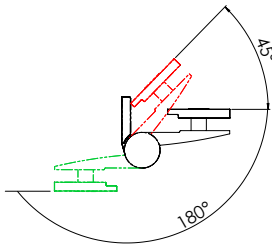


Calculated for 6mm glass.



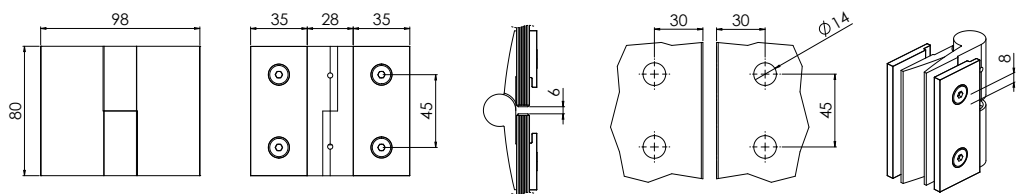
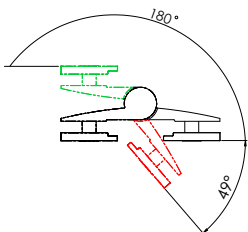
**MONZA 90° WALL TO GLASS SELF RISING HINGES**

Code	Material	Finish	Weight	Glass Thickness
STM-WGH-90L	Brass	Bright Chrome Plated	45 kg	6-12mm
STM-WGH-90R	Brass	Bright Chrome Plated	45 kg	6-12mm
MWGH-90LMB	Brass	Matte Black	45 kg	6-12mm
MWGH-90RMB	Brass	Matte Black	45 kg	6-12mm



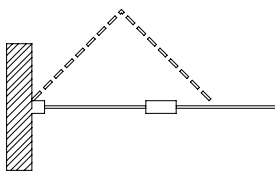
**MONZA 180° GLASS TO GLASS SELF RISING HINGES**

Code	Material	Finish	Weight	Glass Thickness
STM-GGH-180L	Brass	Bright Chrome Plated	45 kg	6-12mm
STM-GGH-180R	Brass	Bright Chrome Plated	45 kg	6-12mm
MGGH-180LMB	Brass	Matte Black	45 kg	6-12mm
MGGH-180RMB	Brass	Matte Black	45 kg	6-12mm



**LEFT WALL (OPENING INWARDS)**

**RIGHT WALL (OPENING INWARDS)**



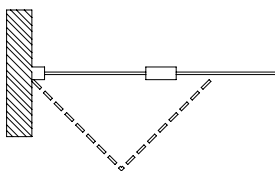
STM-WGH-90R STM-GGH-180L



STM-GGH-180R STM-WGH-90L

**LEFT WALL (OPENING OUTWARDS)**

**RIGHT WALL (OPENING OUTWARDS)**



STM-WGH-90L STM-GGH-180R



STM-GGH-180L STM-WGH-90R



# shower clamps

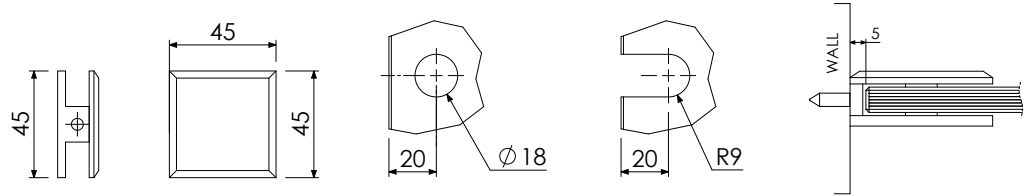
Our insistence on strength and durability is clearly evident in the various clamps that we offer. Choose from a broad range that caters for all clamping options.





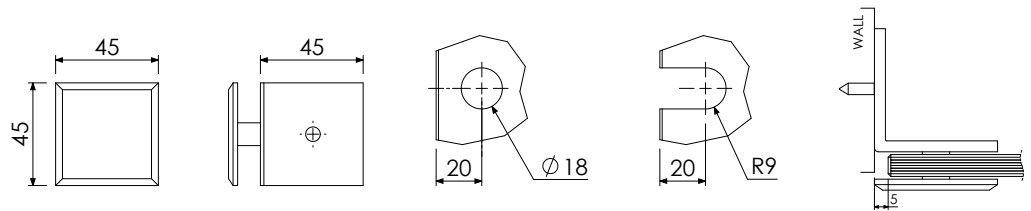
**BEVEL 90° (U-CLAMP) WALL TO GLASS SINGLE FIX CLAMP**

Code	Material	Finish	Glass Thickness
GC-401	S/S 304	Bright Polished	6-12mm
GC-791	Brass	Matte Black	6-12mm



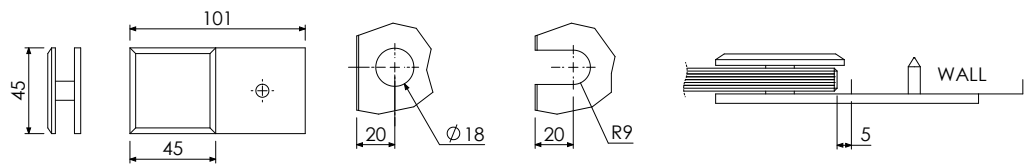
**BEVEL 90° (L-CLAMP) WALL TO GLASS CLAMP**

Code	Material	Finish	Glass Thickness
GC-402	S/S 304	Bright Polished	6-12mm
GC-792	Brass	Matte Black	6-12mm



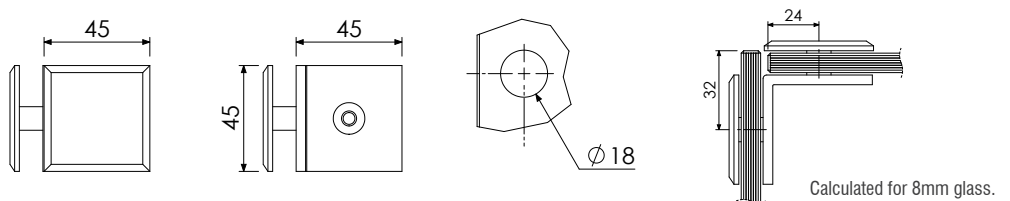
**BEVEL 180° WALL TO GLASS CLAMP**

Code	Material	Finish	Glass Thickness
GC-403	S/S 304	Bright Polished	6-12mm



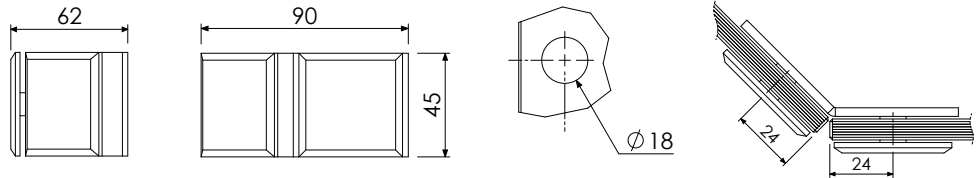
**BEVEL 90° GLASS TO GLASS CLAMP**

Code	Material	Finish	Glass Thickness
GC-404	S/S 304	Bright Polished	6-12mm
GC-794	Brass	Matte Black	6-12mm

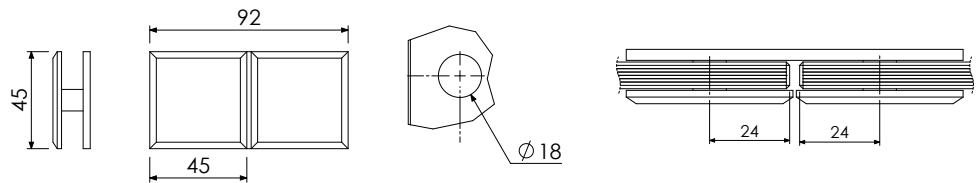




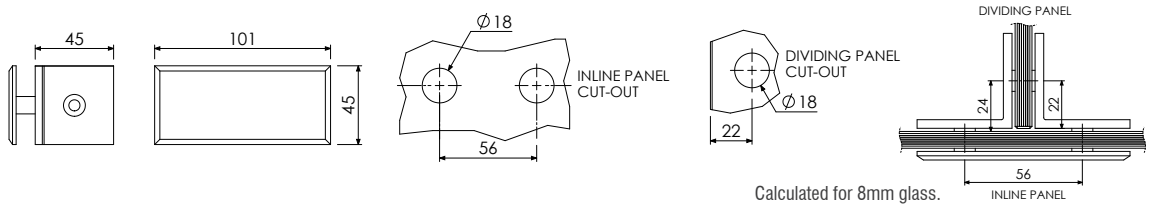
BEVEL 135° GLASS TO GLASS CLAMP			
Code	Material	Finish	Glass Thickness
GC-405	S/S 304	Bright Polished	6-12mm
GC-795	Brass	Matte Black	6-12mm



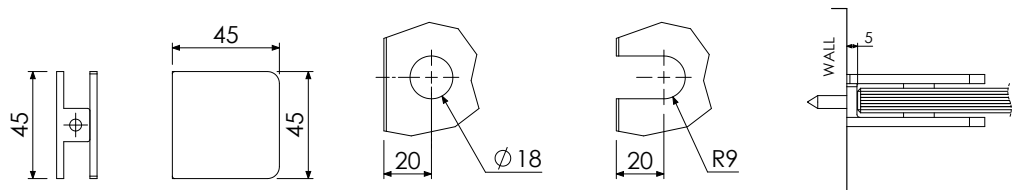
BEVEL 180° GLASS TO GLASS CLAMP			
Code	Material	Finish	Glass Thickness
GC-406	S/S 304	Bright Polished	6-12mm
GC-796	Brass	Matte Black	6-12mm



BEVEL 90° GLASS TO GLASS TEE CLAMP			
Code	Material	Finish	Glass Thickness
GC-407	S/S 304	Bright Polished	6-12mm



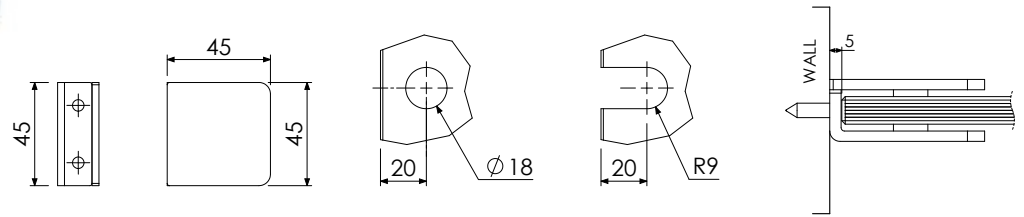
FLAT 90° (U-CLAMP) WALL TO GLASS SINGLE FIX CLAMP			
Code	Material	Finish	Glass Thickness
GC-501	S/S 304	Bright Polished	6-10mm





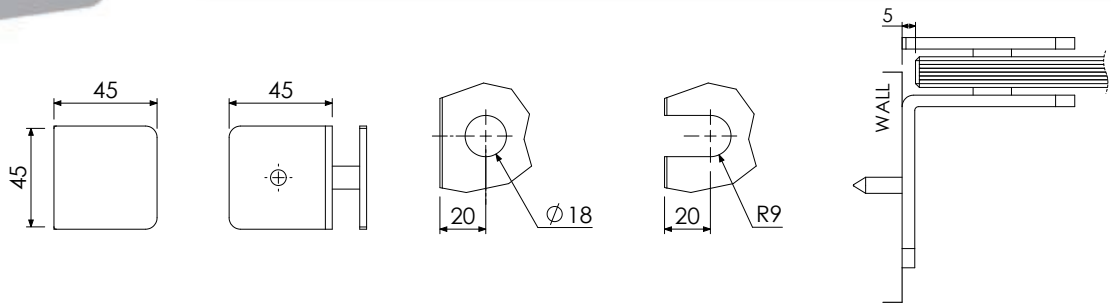
**FLAT 90° (U-CLAMP) WALL TO GLASS DOUBLE FIX CLAMP**

Code	Material	Finish	Glass Thickness
GC-501-D	S/S 304	Bright Polished	6-10mm



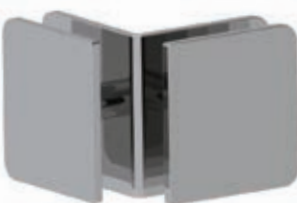
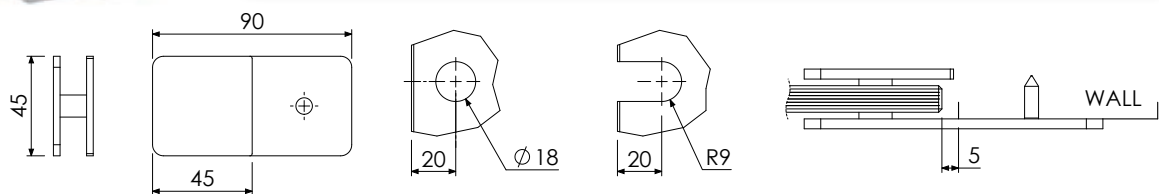
**FLAT 90° (L-CLAMP) WALL TO GLASS CLAMP**

Code	Material	Finish	Glass Thickness
GC-502	S/S 304	Bright Polished	6-10mm



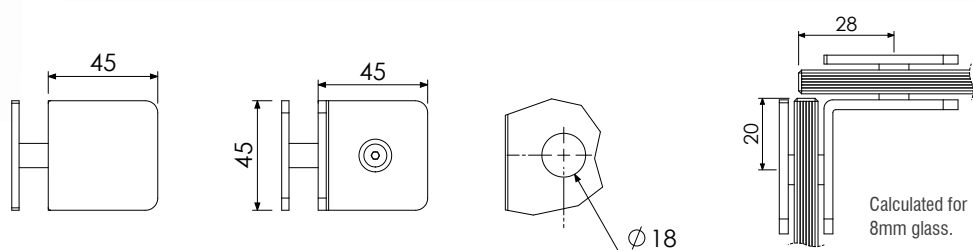
**FLAT 180° WALL TO GLASS CLAMP**

Code	Material	Finish	Glass Thickness
GC-503	S/S 304	Bright Polished	6-10mm



**FLAT 90° GLASS TO GLASS CLAMP**

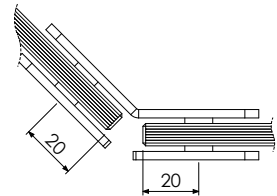
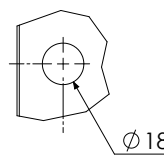
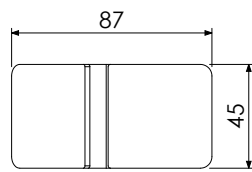
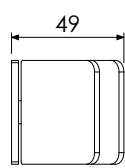
Code	Material	Finish	Glass Thickness
GC-504	S/S 304	Bright Polished	6-10mm





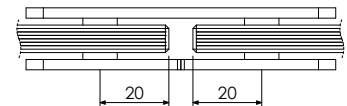
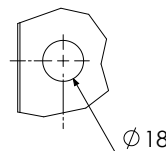
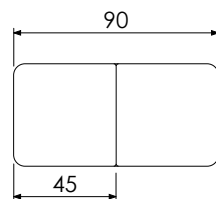
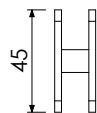
**FLAT 135° GLASS TO GLASS CLAMP**

Code	Material	Finish	Glass Thickness
GC-505	S/S 304	Bright Polished	6-10mm



**FLAT 180° GLASS TO GLASS CLAMP**

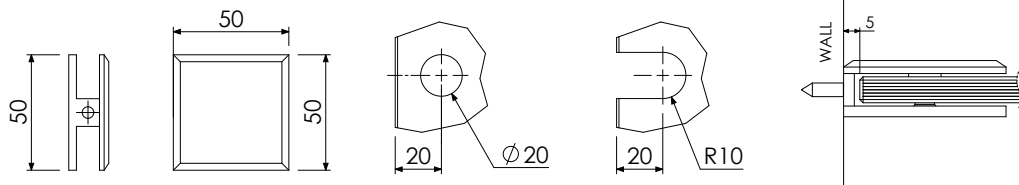
Code	Material	Finish	Glass Thickness
GC-506	S/S 304	Bright Polished	6-10mm





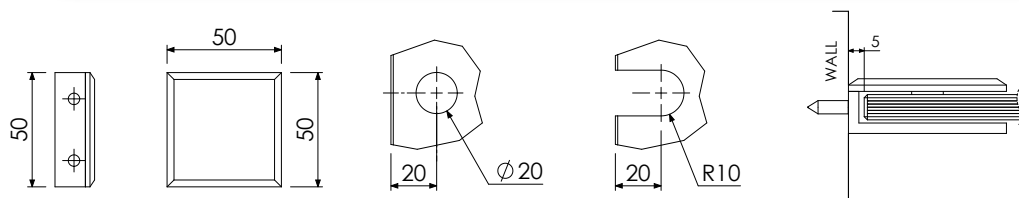
**BEVEL 90° (U-CLAMP) WALL TO GLASS SINGLE FIX CLAMP**

Code	Material	Finish	Glass Thickness
GC-701	Brass	Bright Chrome Plated	6-12mm
GC-711*	Brass	Satin Chrome Plated	6-12mm



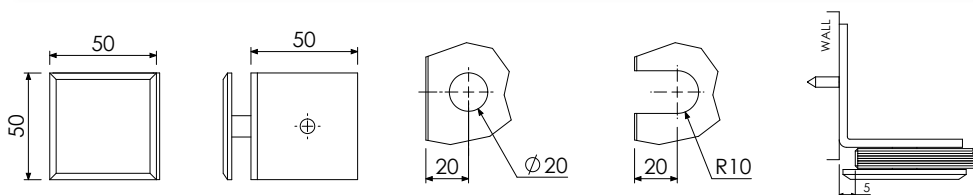
**BEVEL 90° (U-CLAMP) WALL TO GLASS DOUBLE FIX CLAMP**

Code	Material	Finish	Glass Thickness
GC-701-D	Brass	Bright Chrome Plated	6-12mm
GC-711-D*	Brass	Satin Chrome Plated	6-12mm



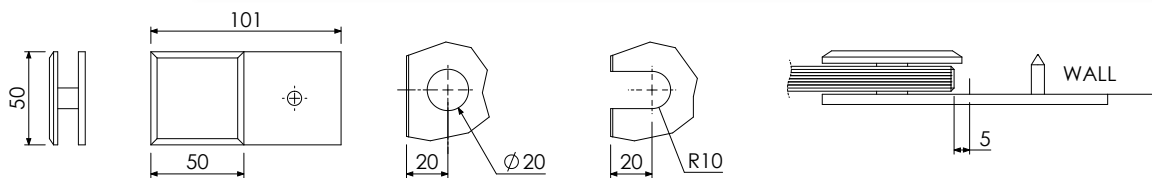
**BEVEL 90° (L-CLAMP) WALL TO GLASS CLAMP**

Code	Material	Finish	Glass Thickness
GC-702	Brass	Bright Chrome Plated	6-12mm
GC-712*	Brass	Satin Chrome Plated	6-12mm



**BEVEL 180° WALL TO GLASS CLAMP**

Code	Material	Finish	Glass Thickness
GC-703	Brass	Bright Chrome Plated	6-12mm
GC-713*	Brass	Satin Chrome Plated	6-12mm

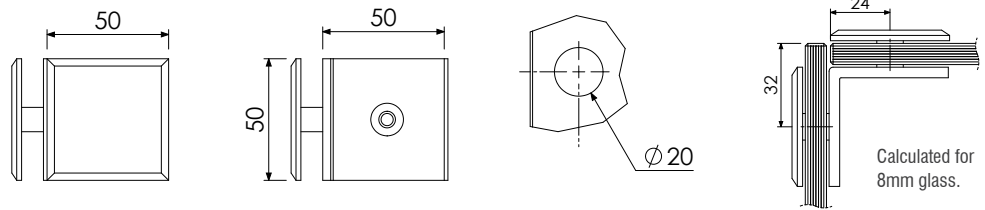


\* Lead times may apply.



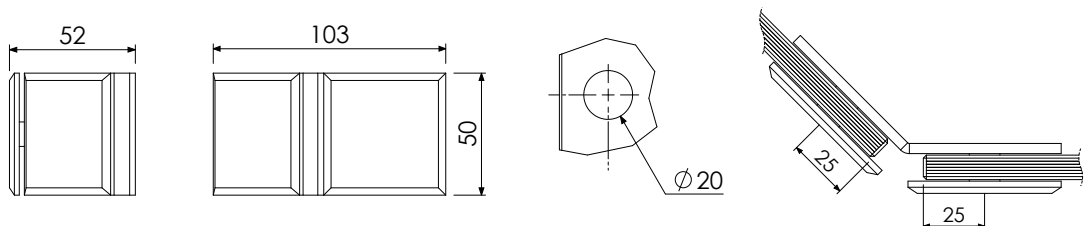
**BEVEL 90° GLASS TO GLASS CLAMP**

Code	Material	Finish	Glass Thickness
GC-704	Brass	Bright Chrome Plated	6-12mm
GC-714*	Brass	Satin Chrome Plated	6-12mm



**BEVEL 135° GLASS TO GLASS CLAMP**

Code	Material	Finish	Glass Thickness
GC-705	Brass	Bright Chrome Plated	6-12mm

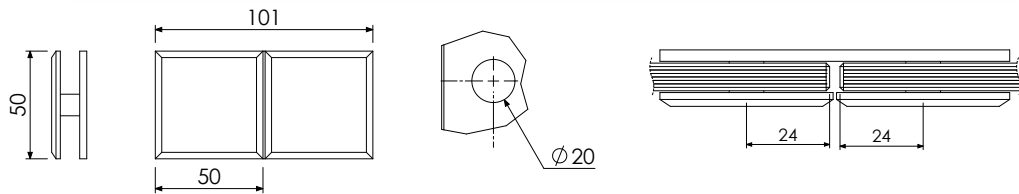


\* Lead times may apply.



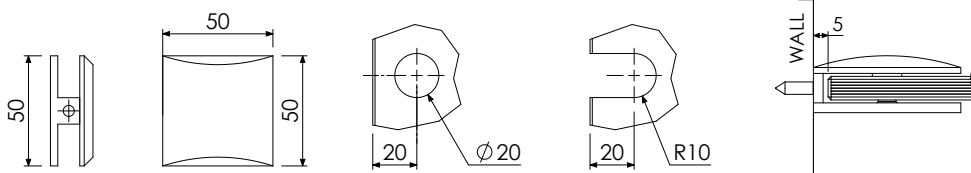
**BEVEL 180° GLASS TO GLASS CLAMP**

Code	Material	Finish	Glass Thickness
GC-706	Brass	Bright Chrome Plated	6-12mm
GC-716*	Brass	Satin Chrome Plated	6-12mm



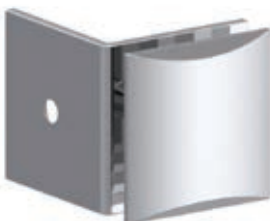
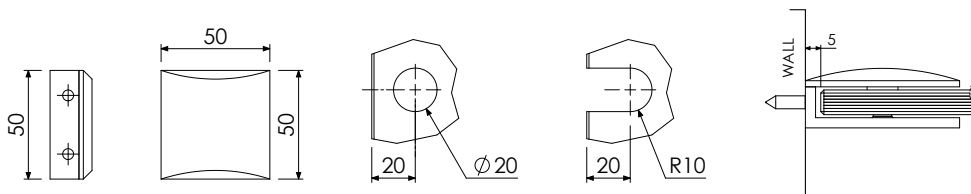
**DOME 90° (U-CLAMP) WALL TO GLASS SINGLE FIX CLAMP**

Code	Material	Finish	Glass Thickness
GC-801	Brass	Bright Chrome Plated	6-12mm
GC-811	Brass	Satin Chrome Plated	6-12mm



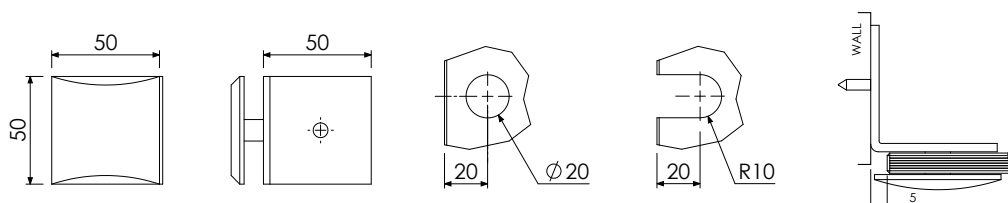
**DOME 90° (U-CLAMP) WALL TO GLASS DOUBLE FIX CLAMP**

Code	Material	Finish	Glass Thickness
GC-801-D	Brass	Bright Chrome Plated	6-12mm



**DOME 90° (L-CLAMP) WALL TO GLASS CLAMP**

Code	Material	Finish	Glass Thickness
GC-802	Brass	Bright Chrome Plated	6-12mm
GC-812	Brass	Satin Chrome Plated	6-12mm

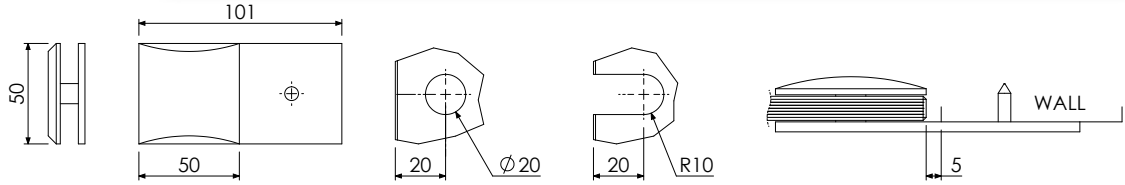


\* Lead times may apply.



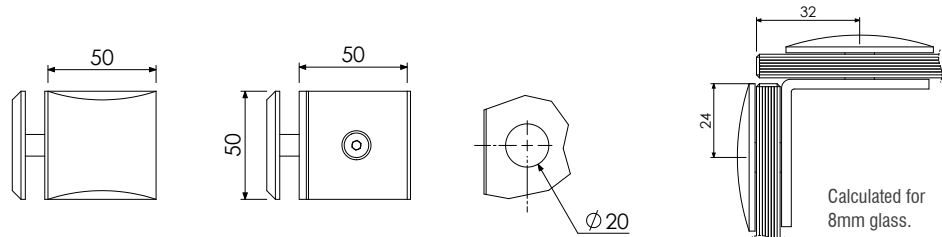
**DOME 180° WALL TO GLASS CLAMP**

Code	Material	Finish	Glass Thickness
GC-803	Brass	Bright Chrome Plated	6-12mm
GC-813	Brass	Satin Chrome Plated	6-12mm



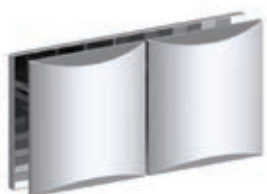
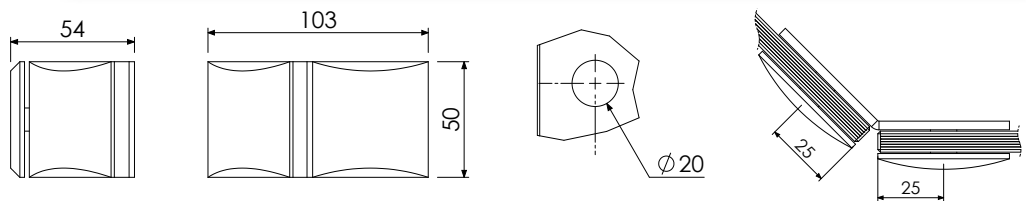
**DOME 90° GLASS TO GLASS CLAMP**

Code	Material	Finish	Glass Thickness
GC-804	Brass	Bright Chrome Plated	6-12mm
GC-814	Brass	Satin Chrome Plated	6-12mm



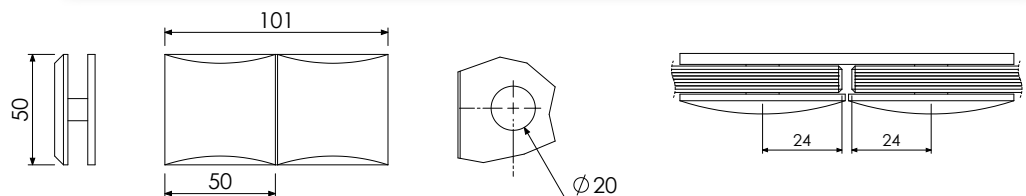
**DOME 135° GLASS TO GLASS CLAMP**

Code	Material	Finish	Glass Thickness
GC-805	Brass	Bright Chrome Plated	6-12mm
GC-815	Brass	Satin Chrome Plated	6-12mm

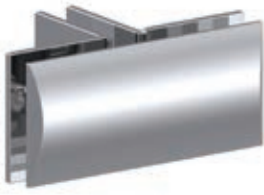


**DOME 180° GLASS TO GLASS CLAMP**

Code	Material	Finish	Glass Thickness
GC-806	Brass	Bright Chrome Plated	6-12mm
GC-816	Brass	Satin Chrome Plated	6-12mm

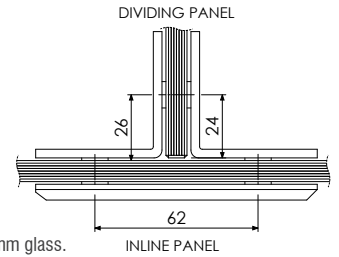
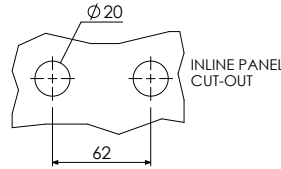
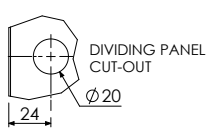
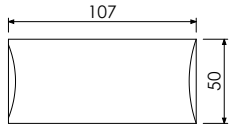
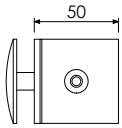






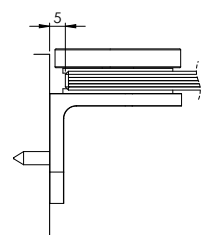
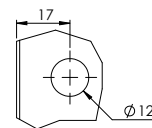
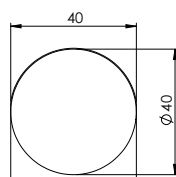
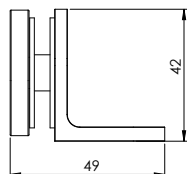
**DOME 90° GLASS TO GLASS TEE CLAMP**

Code	Material	Finish	Glass Thickness
GC-807	Brass	Bright Chrome Plated	6-12mm
GC-817	Brass	Satin Chrome Plated	6-12mm



**DIOSA 90° (L-CLAMP) WALL TO GLASS CLAMP**

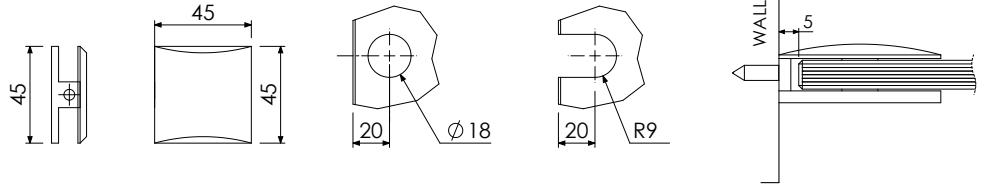
Code	Material	Finish	Glass Thickness
OXB-747	Brass	Bright Chrome Plated	6-8mm





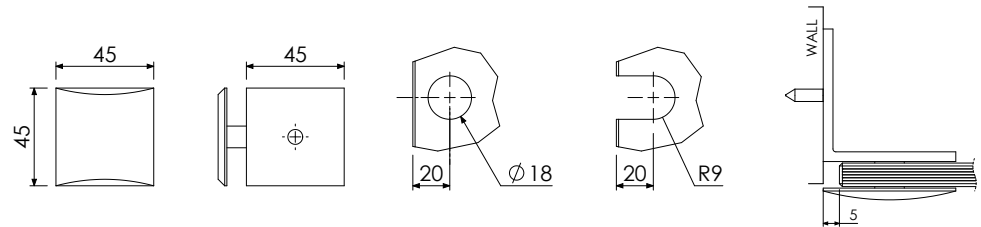
**DOMO 90° (U-CLAMP) WALL TO GLASS SINGLE FIX CLAMP**

Code	Material	Finish	Glass Thickness
GC-901	Zinc	Bright Chrome Plated	6-10mm



**DOMO 90° (L-CLAMP) WALL TO GLASS CLAMP**

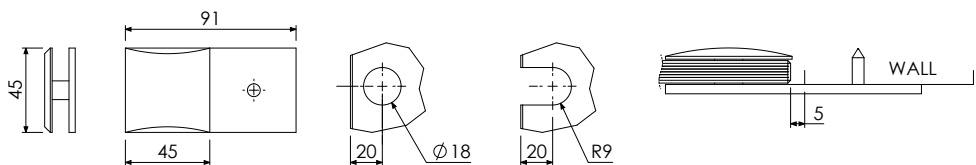
Code	Material	Finish	Glass Thickness
GC-902	Zinc	Bright Chrome Plated	6-10mm





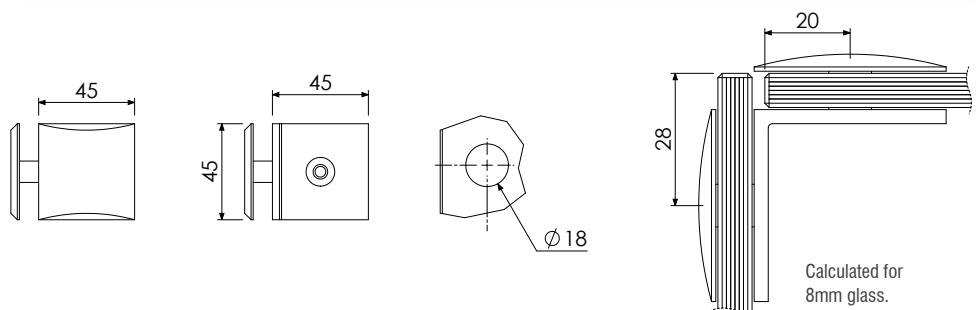
**DOME 180° WALL TO GLASS CLAMP**

Code	Material	Finish	Glass Thickness
GC-903	Zinc	Bright Chrome Plated	6-10mm



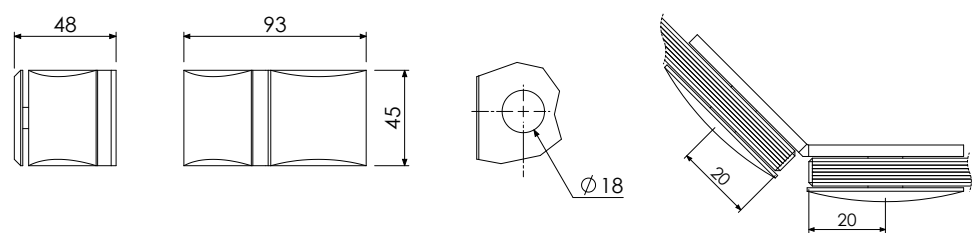
**DOME 90° GLASS TO GLASS CLAMP**

Code	Material	Finish	Glass Thickness
GC-904	Zinc	Bright Chrome Plated	6-10mm



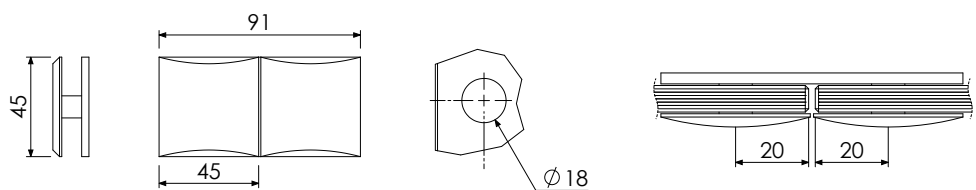
**DOME 135° GLASS TO GLASS CLAMP**

Code	Material	Finish	Glass Thickness
GC-905	Zinc	Bright Chrome Plated	6-10mm



**DOME 180° GLASS TO GLASS CLAMP**

Code	Material	Finish	Glass Thickness
GC-906	Zinc	Bright Chrome Plated	6-10mm



# handles knobs towel rails

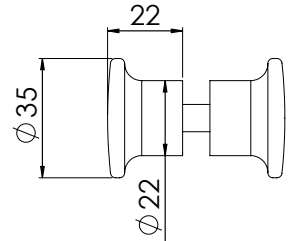


Precisely crafted and perfectly finished, Schematech's handles and knobs are durable under frequent use, offering ease of grip and hygienic design. Each item in the range reflects the cutting edge style of all other Schematech products.



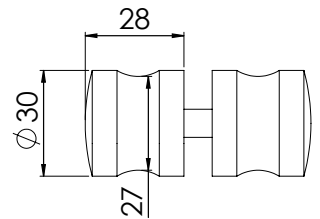
**BACK TO BACK MUSHROOM KNOB**

Code	Material	Finish
DK-201	Brass	Bright Chrome Plated
DK-201A	Aluminium	Bright Chrome Plated
DK-211	Brass	Satin Chrome Plated
DK-291A	Aluminium	Matte Black
DK-501	S/S 304	Bright Polished



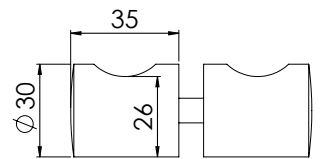
**BACK TO BACK SMALL GROOVE KNOB**

Code	Material	Finish
DK-204A	Aluminium	Bright Chrome Plated
DK-214	Brass	Satin Chrome Plated
DK-504	S/S 304	Bright Polished



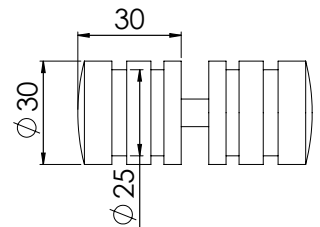
**BACK TO BACK FINGER GROOVE KNOB**

Code	Material	Finish
DK-205A	Aluminium	Bright Chrome Plated



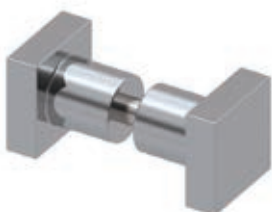
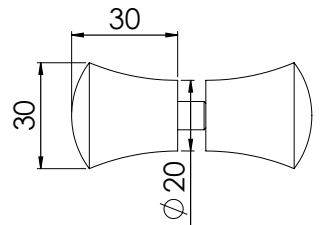
**BACK TO BACK DOUBLE GROOVE KNOB**

Code	Material	Finish
DK-209A	Aluminium	Bright Chrome Plated



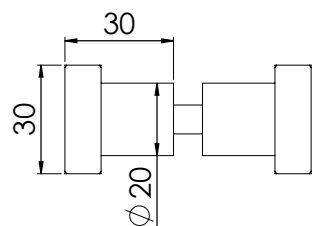
**BACK TO BACK TAPERED KNOB**

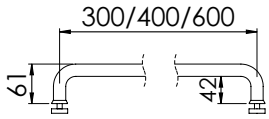
Code	Material	Finish
DK-215A	Aluminium	Bright Chrome Plated



**BACK TO BACK SQUARE KNOB**

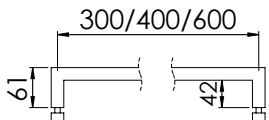
Code	Material	Finish
DK-232	Brass	Bright Chrome Plated
DK-232A	Aluminium	Bright Chrome Plated
DK-292A	Aluminium	Matte Black





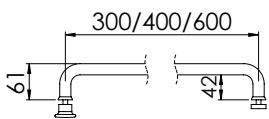
**TOWEL RAIL WITH FINIALS**

Code	CTC of Holes	Hole Size	Tube Size	Material	Finish
BH-030	300mm	14Ø	19Ø	S/S 304	Bright Polished
BH-040	400mm	14Ø	19Ø	S/S 304	Bright Polished
BH-060	600mm	14Ø	19Ø	S/S 304	Bright Polished
BH-930	300mm	14Ø	19Ø	S/S 304	Matte Black
BH-940	400mm	14Ø	19Ø	S/S 304	Matte Black
BH-960	600mm	14Ø	19Ø	S/S 304	Matte Black



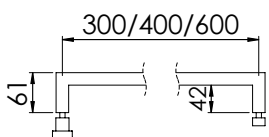
**SQUARE TOWEL RAIL WITH FINIALS**

Code	CTC of Holes	Hole Size	Tube Size	Material	Finish
SH-0300	300mm	14Ø	19mm	S/S 304	Bright Polished
SH-0400	400mm	14Ø	19mm	S/S 304	Bright Polished
SH-0600	600mm	14Ø	19mm	S/S 304	Bright Polished
SH-9400	400mm	14Ø	19mm	S/S 304	Matte Black
SH-9600	600mm	14Ø	19mm	S/S 304	Matte Black



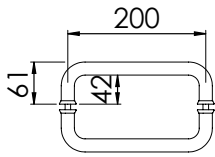
**TOWEL RAIL WITH BACK KNOB**

Code	CTC of Holes	Hole Size	Tube Size	Material	Finish
DK-201-H300	300mm	14Ø	19Ø	S/S 304	Bright Polished
DK-201-H400	400mm	14Ø	19Ø	S/S 304	Bright Polished
DK-211-H400	400mm	14Ø	19Ø	S/S 304	Brushed
DK-201-H600	600mm	14Ø	19Ø	S/S 304	Bright Polished
DK-291-H300	300mm	14Ø	19Ø	S/S 304	Matte Black
DK-291-H400	400mm	14Ø	19Ø	S/S 304	Matte Black
DK-291-H600	600mm	14Ø	19Ø	S/S 304	Matte Black



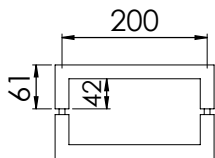
**SQUARE TOWEL RAIL WITH BACK KNOB**

Code	CTC of Holes	Hole Size	Tube Size	Material	Finish
DK-232-H300	300mm	14Ø	19mm	S/S 304	Bright Polished
DK-232-H400	400mm	14Ø	19mm	S/S 304	Bright Polished
DK-232-H600	600mm	14Ø	19mm	S/S 304	Bright Polished
DK-292-H400	400mm	14Ø	19mm	S/S 304	Matte Black
DK-292-H600	600mm	14Ø	19mm	S/S 304	Matte Black



**PULL HANDLES**

Code	CTC of Holes	Hole Size	Tube Size	Material	Finish
BH-010	200mm	14Ø	19mm	S/S 304	Bright Polished
BH-910	200mm	14Ø	19mm	S/S 304	Matte Black



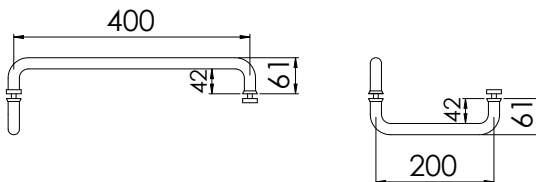
**SQUARE PULL HANDLES**

Code	CTC of Holes	Hole Size	Tube Size	Material	Finish
SH-010	200mm	14Ø	19mm	S/S 304	Bright Polished
SH-910	200mm	14Ø	19mm	S/S 304	Matte Black



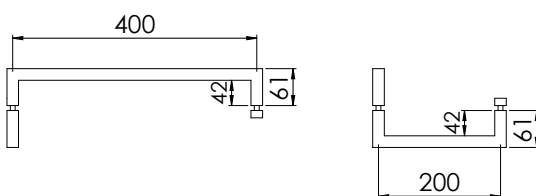
**TOWEL RAIL WITH PULL HANDLE**

Code	CTC of Holes	Hole Size	Tube Size	Material	Finish
BH-001	200mm/400mm	14Ø	19mm	S/S 304	Bright Polished
BH-901	200mm/400mm	14Ø	19mm	S/S 304	Matte Black



**SQUARE TOWEL RAIL WITH PULL HANDLE**

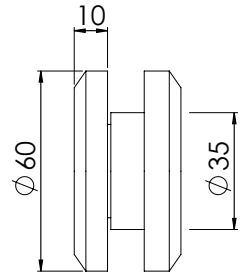
Code	CTC of Holes	Hole Size	Tube Size	Material	Finish
SH-001	200mm/400mm	14Ø	19mm	S/S 304	Bright Polished
SH-901	200mm/400mm	14Ø	19mm	S/S 304	Matte Black





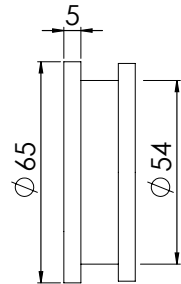
**FLUSH HANDLE WITH PLATE - SMALL**

Code	Hole Size	Material	Finish
FH-036P	36Ø	Aluminium	Bright Chrome Plated



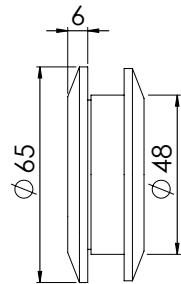
**FLUSH HANDLE WITH PLATE - LARGE**

Code	Hole Size	Material	Finish
FH-055P	55Ø	S/S 304	Bright Polished



**FLUSH HANDLE WITH NO PLATE - LARGE**

Code	Hole Size	Material	Finish
FH-155P	55Ø	S/S 304	Bright Polished

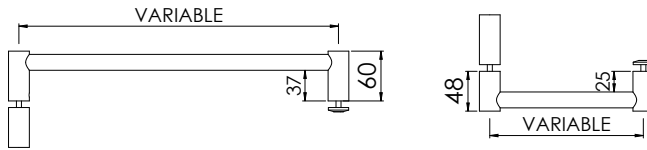






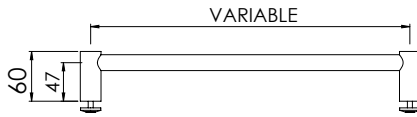
**CUSTOM TOWEL RAIL AND HANDLE KIT**

Code	CTC of Holes	Hole Size	Tube Size	Material	Finish
BTK-ET	Custom	12Ø	19Ø	S/S 304	Bright Polished



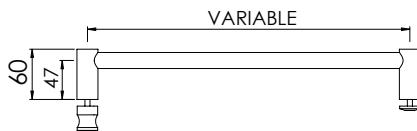
**CUSTOM GLASS TOWEL RAIL KIT**

Code	CTC of Holes	Hole Size	Tube Size	Material	Finish
STA-TRK-ET	Custom	12Ø	19Ø	S/S 304	Bright Polished



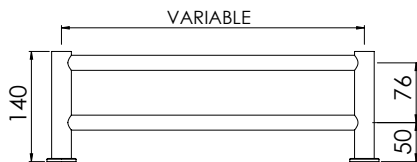
**CUSTOM GLASS TOWEL RAIL KIT WITH BACK KNOB**

Code	CTC of Holes	Hole Size	Tube Size	Material	Finish
STA-TRKK-ET	Custom	12Ø	19Ø	S/S 304	Bright Polished



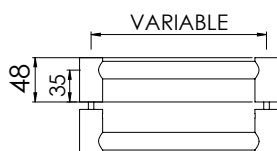
**CUSTOM DOUBLE TOWEL RAIL KIT WALL MOUNT**

Code	CTC of Holes	Hole Size	Tube Size	Material	Finish
SS-DTR-KIT	Custom	12Ø	19Ø	S/S 304	Bright Polished



**CUSTOM PULL HANDLE KIT**

Code	CTC of Holes	Hole Size	Tube Size	Material	Finish
STA-PH-KIT	Custom	12Ø	19Ø	S/S 304	Bright Polished

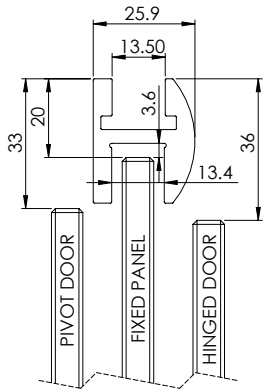


# metal profiles

Manufactured from durable materials and precision engineered with a smooth finish for a snug fit, these components are available in a wide variety of formats and sizes.



# HEADER RAILS

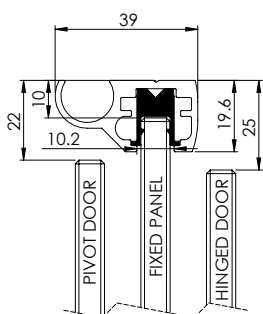
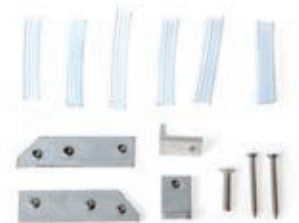


BULL NOSE HEADER RAIL			
Code	Length	Material	Finish
BHDR-1000B	1000mm	Aluminium	Bright Polish Anodize
BHDR-1000N	1000mm	Aluminium	Natural Anodize
BHDR-1000MB	1000mm	Aluminium	Matt Black Anodize
BHDR-1500B	1500mm	Aluminium	Bright Polish Anodize
BHDR-1500N	1500mm	Aluminium	Natural Anodize
BHDR-1500MB	1500mm	Aluminium	Matt Black Anodize
BHDR-2000B	2000mm	Aluminium	Bright Polish Anodize
BHDR-2000N	2000mm	Aluminium	Natural Anodize
BHDR-2000MB	2000mm	Aluminium	Matt Black Anodize
BHDR-2500B	2500mm	Aluminium	Bright Polish Anodize
BHDR-2500N	2500mm	Aluminium	Natural Anodize
BHDR-2500MB	2500mm	Aluminium	Matt Black Anodize
BHDR-3000B	3000mm	Aluminium	Bright Polish Anodize
BHDR-3000N	3000mm	Aluminium	Natural Anodize
BHDR-3000MB	3000mm	Aluminium	Matt Black Anodize

## BHDR-KIT



## BHDR-KIT-EXB



SLIMLINE HEADER RAIL			
Code	Length	Material	Finish
SLHR-1000B	1000mm	Aluminium	Bright Polish Anodize
SLHR-1000N	1000mm	Aluminium	Natural Anodize
SLHR-1500B	1500mm	Aluminium	Bright Polish Anodize
SLHR-1500N	1500mm	Aluminium	Natural Anodize
SLHR-2000B	2000mm	Aluminium	Bright Polish Anodize
SLHR-2000N	2000mm	Aluminium	Natural Anodize
SLHR-2500B	2500mm	Aluminium	Bright Polish Anodize
SLHR-2500N	2500mm	Aluminium	Natural Anodize
SLHR-3000B	3000mm	Aluminium	Bright Polish Anodize
SLHR-3000N	3000mm	Aluminium	Natural Anodize

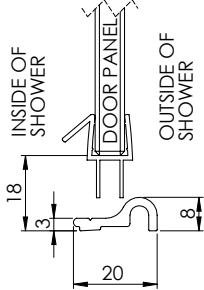
## SLHR-KIT



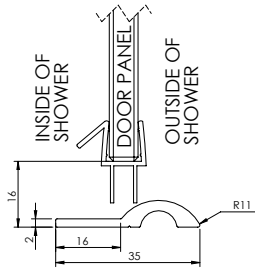
## SLHR-KIT-EXB



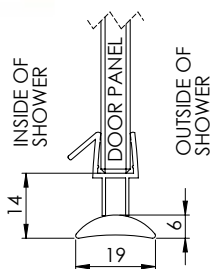
# CILL PLATES



STANDARD CILL PLATE			
Code	Length	Material	Finish
MCP-1001B	1000mm	Aluminium	Bright Polish Anodize
MCP-1001N	1000mm	Aluminium	Natural Anodize
MCP-1001MB	1000mm	Aluminium	Matt Black Anodize
MCP-1501B	1500mm	Aluminium	Bright Polish Anodize
MCP-1501N	1500mm	Aluminium	Natural Anodize
MCP-1501MB	1500mm	Aluminium	Matt Black Anodize
MCP-2001B	2000mm	Aluminium	Bright Polish Anodize
MCP-2001N	2000mm	Aluminium	Natural Anodize
MCP-2001MB	2000mm	Aluminium	Matt Black Anodize
MCP-3001B	3000mm	Aluminium	Bright Polish Anodize
MCP-3001N	3000mm	Aluminium	Natural Anodize
MCP-3001MB	3000mm	Aluminium	Matt Black Anodize

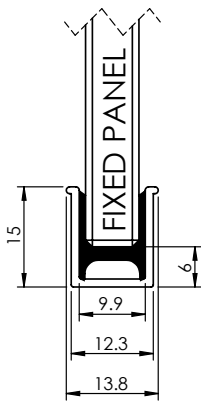


BROAD CILL PLATE			
Code	Length	Material	Finish
BCP-1001B	1000mm	Aluminium	Bright Polish Anodize
BCP-1001N	1000mm	Aluminium	Natural Anodize
BCP-1501B	1500mm	Aluminium	Bright Polish Anodize
BCP-1501N	1500mm	Aluminium	Natural Anodize
BCP-2001B	2000mm	Aluminium	Bright Polish Anodize
BCP-2001N	2000mm	Aluminium	Natural Anodize
BCP-3001B	3000mm	Aluminium	Bright Polish Anodize
BCP-3001N	3000mm	Aluminium	Natural Anodize



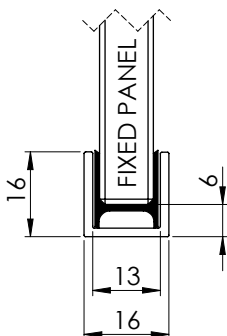
HALF MOON CILL PLATE			
Code	Length	Material	Finish
HMP-1000	1000mm	Aluminium	Bright Polish Anodize
HMP-1500	1500mm	Aluminium	Bright Polish Anodize
HMP-2000	2000mm	Aluminium	Bright Polish Anodize
HMP-3000	3000mm	Aluminium	Bright Polish Anodize

# CHANNELS



## 12.7mm INSERT CHANNEL

Code	Length	Material	Finish
I-CHL-8-10B	1000mm	Aluminium	Bright Polish Anodize
I-CHL-8-10N	1000mm	Aluminium	Natural Anodize
I-CHL-8-10MB	1000mm	Aluminium	Matt Black Anodize
I-CHL-8-15B	1500mm	Aluminium	Bright Polish Anodize
I-CHL-8-15N	1500mm	Aluminium	Natural Anodize
I-CHL-8-15MB	1500mm	Aluminium	Matt Black Anodize
I-CHL-8-20B	2000mm	Aluminium	Bright Polish Anodize
I-CHL-8-20N	2000mm	Aluminium	Natural Anodize
I-CHL-8-20MB	2000mm	Aluminium	Matt Black Anodize
I-CHL-8-30B	3000mm	Aluminium	Bright Polish Anodize
I-CHL-8-30N	3000mm	Aluminium	Natural Anodize
I-CHL-8-30MB	3000mm	Aluminium	Matt Black Anodize

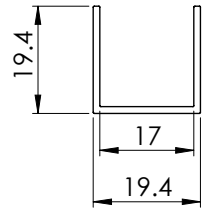


## 15.88mm U-CHANNEL

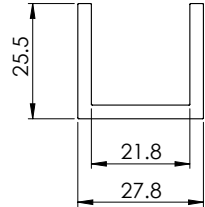
Code	Length	Material	Finish
U-CHL-10-10B	1000mm	Aluminium	Bright Polish Anodize
U-CHL-10-10N	1000mm	Aluminium	Natural Anodize
U-CHL-10-10MB	1000mm	Aluminium	Matt Black Anodize
U-CHL-10-15B	1500mm	Aluminium	Bright Polish Anodize
U-CHL-10-15N	1500mm	Aluminium	Natural Anodize
U-CHL-10-15MB	1500mm	Aluminium	Matt Black Anodize
U-CHL-10-20B	2000mm	Aluminium	Bright Polish Anodize
U-CHL-10-20N	2000mm	Aluminium	Natural Anodize
U-CHL-10-20MB	2000mm	Aluminium	Matt Black Anodize
U-CHL-10-30B	3000mm	Aluminium	Bright Polish Anodize
U-CHL-10-30N	3000mm	Aluminium	Natural Anodize
U-CHL-10-30MB	3000mm	Aluminium	Matt Black Anodize



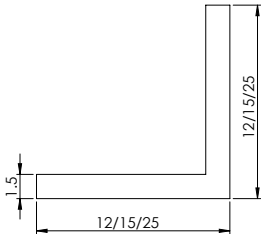
19mm U-CHANNEL			
Code	Length	Material	Finish
U-CHL-19-30N	3000mm	Aluminium	Natural Anodize



25mm U-CHANNEL			
Code	Length	Material	Finish
CHNL-25-30N	3000mm	Aluminium	Natural Anodize



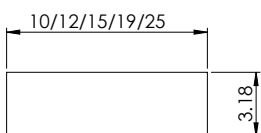
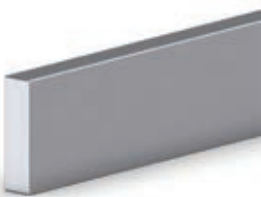
# ALUMINIUM ANGLES



## ALUMINIUM ANGLES

Code	Description	Length	Material	Finish
AIA12-2000B	12mm Equal Angle	2000mm	Aluminium	Bright Polish Anodize
AIA12-3000B	12mm Equal Angle	3000mm	Aluminium	Bright Polish Anodize
AIA15-2000B	15mm Equal Angle	2000mm	Aluminium	Bright Polish Anodize
AIA15-3000B	15mm Equal Angle	3000mm	Aluminium	Bright Polish Anodize
AIA25-2000B	25mm Equal Angle	2000mm	Aluminium	Bright Polish Anodize
AIA25-3000B	25mm Equal Angle	3000mm	Aluminium	Bright Polish Anodize

# FLAT BARS



## FLAT BARS

Code	Description	Length	Material	Finish
FLB10-2000B	10mm Flat Bar	2000mm	Aluminium	Bright Polish Anodize
FLB10-3000B	10mm Flat Bar	3000mm	Aluminium	Bright Polish Anodize
FLB12-2000B	12mm Flat Bar	2000mm	Aluminium	Bright Polish Anodize
FLB12-3000B	12mm Flat Bar	3000mm	Aluminium	Bright Polish Anodize
FLB15-2000B	15mm Flat Bar	2000mm	Aluminium	Bright Polish Anodize
FLB15-3000B	15mm Flat Bar	3000mm	Aluminium	Bright Polish Anodize
FLB19-2000B	19mm Flat Bar	2000mm	Aluminium	Bright Polish Anodize
FLB19-3000B	19mm Flat Bar	3000mm	Aluminium	Bright Polish Anodize
FLB25-2000B	25mm Flat Bar	2000mm	Aluminium	Bright Polish Anodize
FLB25-3000B	25mm Flat Bar	3000mm	Aluminium	Bright Polish Anodize

# seals



Schematech's range of seals is the result of our insistence on reliable waterproofing solutions. Our attractive selection reflects our product developers' focus on uncompromising quality and top-grade materials.

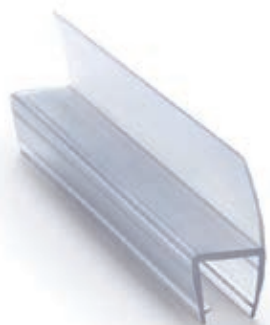
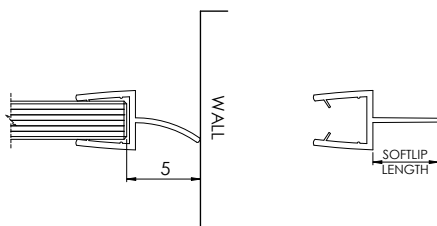


# SOFT LIP SEALS



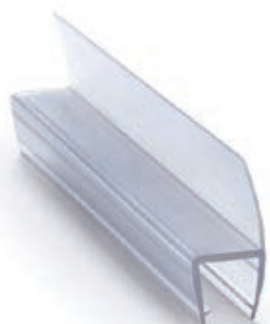
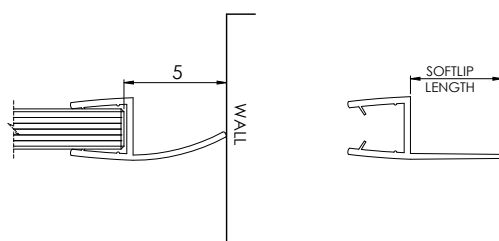
## CENTRE LIP SEAL

Code	Material	Soft Lip Length	Length	Glass Thickness
TSS-001-8	PVC	12mm	2500mm	6-8mm
TSS-001-10	PVC	12mm	2500mm	8-10mm
TUV-001-12	PVC	12mm	3000mm	10-12mm



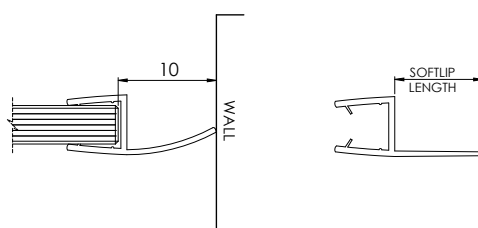
## 180° SOFT LIP SEAL

Code	Material	Soft Lip Length	Length	Glass Thickness
PSS-003-8	PC	16mm	2500mm	8mm
PUV-003-10	PC	16mm	3000mm	10mm
TSS-003-8	PVC	16mm	2500mm	6-8mm
TSS-003-10	PVC	16mm	2500mm	8-10mm
TUV-003-12	PVC	20mm	3000mm	10-12mm



## 180° LONG LIP SEAL

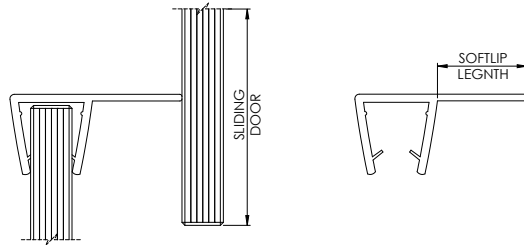
Code	Material	Soft Lip Length	Length	Glass Thickness
TSS-003-8-22	PVC	22mm	2500mm	6-8mm
TSS-003-10-22	PVC	22mm	2500mm	8-10mm





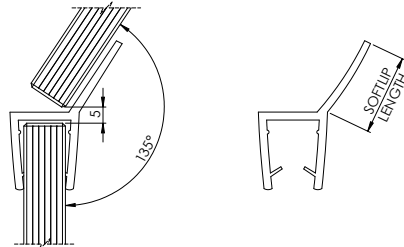
**90° SOFT LIP SEAL**

Code	Material	Soft Lip Length	Length	Glass Thickness
TSS-004-8	PVC	8mm	2500mm	6-8mm
TSS-004-8-12	PVC	12mm	2500mm	6-8mm
TSS-004-10	PVC	8mm	2500mm	8-10mm



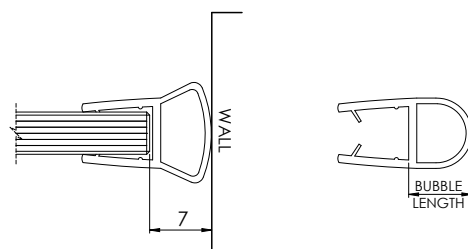
**135° SOFT LIP SEAL**

Code	Material	Soft Lip Length	Length	Glass Thickness
TSS-005-8	PVC	16mm	2500mm	6-8mm
TSS-005-10	PVC	16mm	2500mm	8-10mm



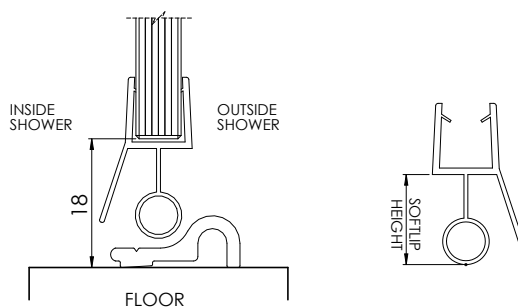
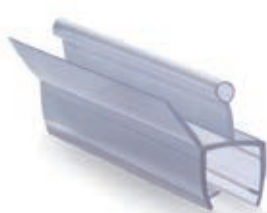
**BUBBLE SEAL**

Code	Material	Bubble Length	Length	Glass Thickness
TSS-007-8	PVC	8mm	2500mm	6-8mm
TSS-007-10	PVC	8mm	2500mm	8-10mm
TUV-007-12	PVC	8mm	3000mm	10-12mm



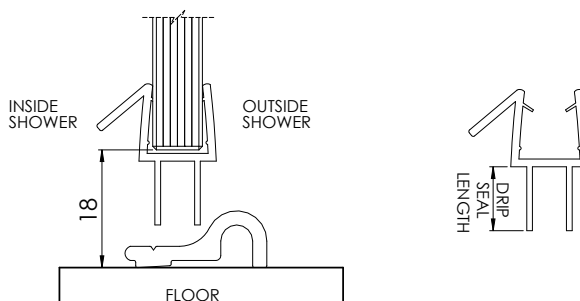
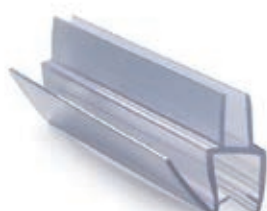
## WIPE SEAL WITH BUBBLE

Code	Material	Soft Lip Length	Bubble Lip Length	Length	Glass Thickness
TSS-009-8	PVC	11mm	8mm	2500mm	6-8mm



## DRIP &amp; WIPE SEAL

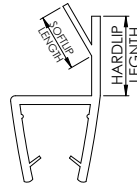
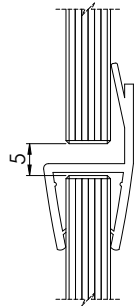
Code	Material	Soft Lip Length	Hard Lip Length	Length	Glass Thickness
PSS-009B1-8	PC	8mm	10mm	2500mm	8mm
PSS-009B1-10	PC	8mm	10mm	2500mm	10mm
TSS-009B1-8	PVC	8mm	10mm	2500mm	6-8mm
TSS-009B1-10	PVC	8mm	10mm	2500mm	8-10mm
TSS-009B1-12	PVC	8mm	10mm	2500mm	10-12mm



# HARD LIP SEALS

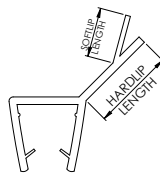
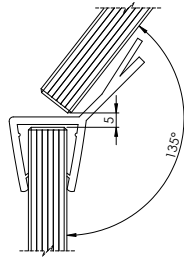
## 180° HARD LIP SEAL

Code	Material	Soft Lip Length	Hard Lip Length	Length	Glass Thickness
PSS-003A-8	PC	5mm	10mm	2500mm	8mm
PUV-003A-10	PC	5mm	10mm	3000mm	10mm
TSS-003A-8	PVC	5mm	10mm	2500mm	6-8mm
TSS-003A-10	PVC	5mm	10mm	2500mm	8-10mm
TUV-003A-12	PVC	5mm	10mm	3000mm	10-12mm



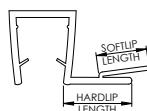
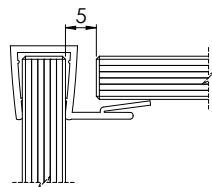
## 135° HARD LIP SEAL

Code	Material	Soft Lip Length	Hard Lip Length	Length	Glass Thickness
TSS-005A-8	PVC	5mm	10mm	2500mm	6-8mm
TSS-005A-10	PVC	5mm	10mm	2500mm	8-10mm



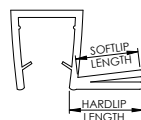
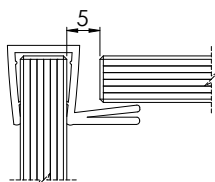
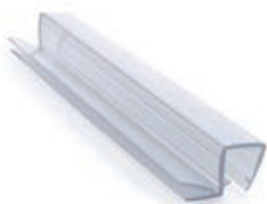
## 90° EXTENDED HARD LIP SEAL

Code	Material	Soft Lip Length	Hard Lip Length	Length	Glass Thickness
TSS-011A-8	PVC	8mm	10mm	2500mm	6-8mm
TSS-011A-10	PVC	8mm	10mm	2500mm	8-10mm

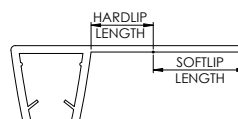
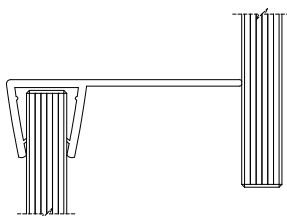


**90° HARD LIP SEAL**

Code	Material	Soft Lip Length	Hard Lip Length	Length	Glass Thickness
TSS-011C-8	PVC	10mm	10mm	2500mm	6-8mm
TSS-011C-10	PVC	10mm	10mm	2500mm	8-10mm

**90° HARD/SOFT LIP SEAL**

Code	Material	Soft Lip Length	Hard Lip Length	Length	Glass Thickness
TUV-04A-12	PVC	14mm	10mm	3000mm	10-12mm

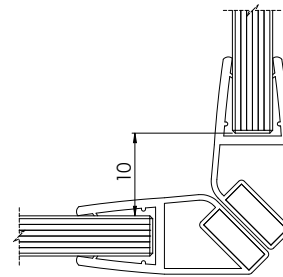
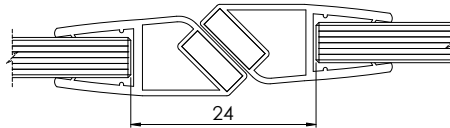
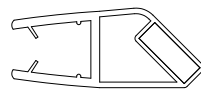


# MAGNET SEALS



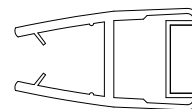
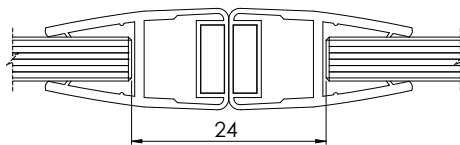
## 90°/180° MAGNETIC SEAL

Code	Material	Lip Length	Colour	Length	Glass Thickness
TSS-008A-8	PVC	12mm	White	2500mm	6-8mm
SM090-08B	PVC	12mm	Brown	2500mm	6-8mm
TSS-008A-10	PVC	12mm	White	2500mm	8-10mm
SM090-10B	PVC	12mm	Brown	2500mm	8-10mm
TSS-008A-12	PVC	12mm	White	3000mm	10-12mm



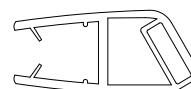
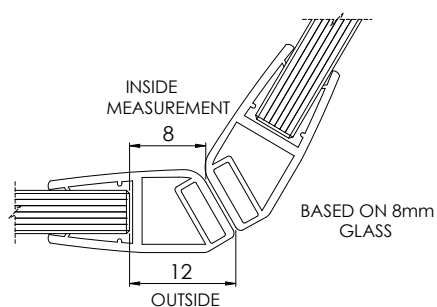
## 180° FLAT MAGNETIC SEAL

Code	Material	Lip Length	Colour	Length	Glass Thickness
TSS-008B-8	PVC	12mm	White	2500mm	6-8mm
SM180-08B	PVC	12mm	Brown	2500mm	6-8mm
TSS-008B-10	PVC	12mm	White	2500mm	8-10mm
SM180-10B	PVC	12mm	Brown	2500mm	8-10mm

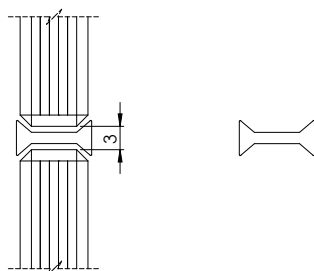


**135° MAGNETIC SEAL**

Code	Material	Lip Length	Colour	Length	Glass Thickness
TSS-008C-8	PVC	12mm	White	2500mm	6-8mm
SM135-08B	PVC	12mm	Brown	2500mm	6-8mm
TSS-008C-10	PVC	12mm	White	2500mm	8-10mm
SM135-10B	PVC	12mm	Brown	2500mm	8-10mm

**INFILL SEALS****180° GLASS TO GLASS INFILL SEAL**

Code	Material	Length	Glass Thickness
IS-180-10	PC	3000mm	10mm
IS-180-12	PC	3000mm	12mm





# stabilisers

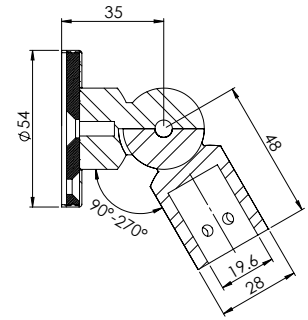
Designed and crafted to exacting standards for sturdy functionality, Schematech's range of stabilising components also reflects our trademark elegance.





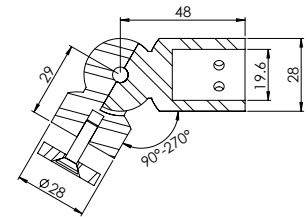
**19mm ADJUSTABLE WALL MOUNT SUPPORT BAR BRACKET**

Code	Material	Finish
GSH-301	Brass	Bright Chrome Plated
GSH-301-S	Brass	Satin Chrome Plated



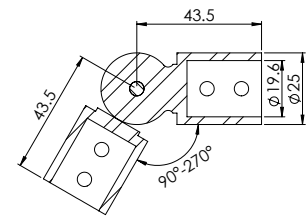
**19mm ADJUSTABLE GLASS MOUNT SUPPORT BAR BRACKET**

Code	Material	Finish
GSH-401	Brass	Bright Chrome Plated
GSH-401-S	Brass	Satin Chrome Plated



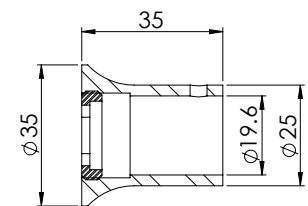
**90° ADJUSTABLE 19mm SUPPORT BAR FLANGE**

Code	Material	Finish
KA-003*19	Brass	Bright Chrome Plated
KA-003*19-S	Brass	Satin Chrome Plated



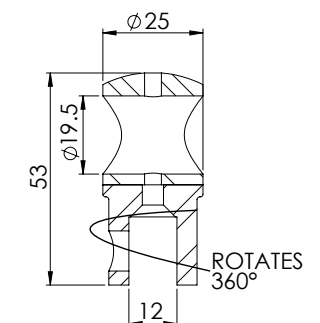
**19mm WALL FLANGE**

Code	Material	Finish
KA-101*19	Brass	Bright Chrome Plated
KA-111*19	Brass	Satin Chrome Plated
KA-191*19	Brass	Matte Black



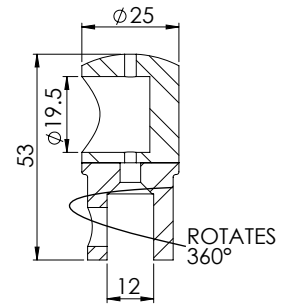
**19mm GLASS MOUNT SUPPORT BAR STABILISER (straight through)**

Code	Material	Finish
KA-102*19	Brass	Bright Chrome Plated
KA-102*19-S	Brass	Satin Chrome Plated
KA-192*19	Brass	Matte Black

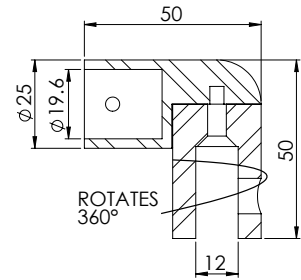




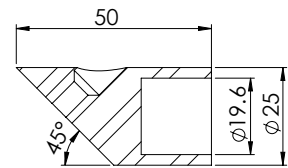
19mm GLASS MOUNT SUPPORT BAR STABILISER		
Code	Material	Finish
KA-103*19	Brass	Bright Chrome Plated
KA-103*19-S	Brass	Satin Chrome Plated
KA-193*19	Brass	Matte Black



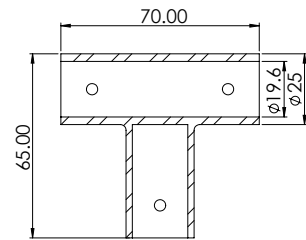
19mm ADJUSTABLE 90° GLASS MOUNT STABILISER		
Code	Material	Finish
KA-106*19	Brass	Bright Chrome Plated



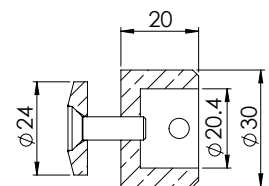
19mm WALL MOUNT 45° SUPPORT BAR STABILISER		
Code	Material	Finish
KA-107*19	Brass	Bright Chrome Plated
KA-197*19	Brass	Matte Black



19mm TEE-COUPLER STABILISER		
Code	Material	Finish
KA-111*19	Brass	Bright Chrome Plated
KA-111*19-S	Brass	Satin Chrome Plated
KA-199*19	Brass	Matte Black



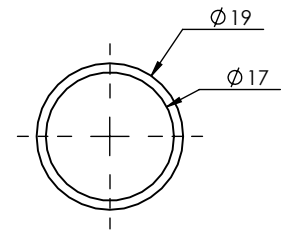
19mm THROUGH GLASS FLANGE		
Code	Material	Finish
DP-GFT	S/S 304	Bright Polished





**19mm SUPPORT BAR**

Code	Length	Material	Finish
SB19-1000B	1000mm	S/S 304	Bright Polished
SB19-1000N	1000mm	S/S 304	Brushed
SBA19-1000MB	1000mm	Aluminium	Matt Black
SB19-1500B	1500mm	S/S 304	Bright Polished
SB19-1500N	1500mm	S/S 304	Brushed
SBA19-1500MB	1500mm	Aluminium	Matt Black
SB19-2000B	2000mm	S/S 304	Bright Polished
SB19-2000N	2000mm	S/S 304	Brushed
SBA19-2000MB	2000mm	Aluminium	Matt Black
SB19-3000B	3000mm	S/S 304	Bright Polished
SB19-3000N	3000mm	S/S 304	Brushed
SBA19-3000MB	3000mm	Aluminium	Matt Black





# glass shelf clamps

Glass shelves can add structural integrity to your shower design. Solid functionality combined with graceful lines ensures uncluttered convenience of surface use in every area of the bathroom.

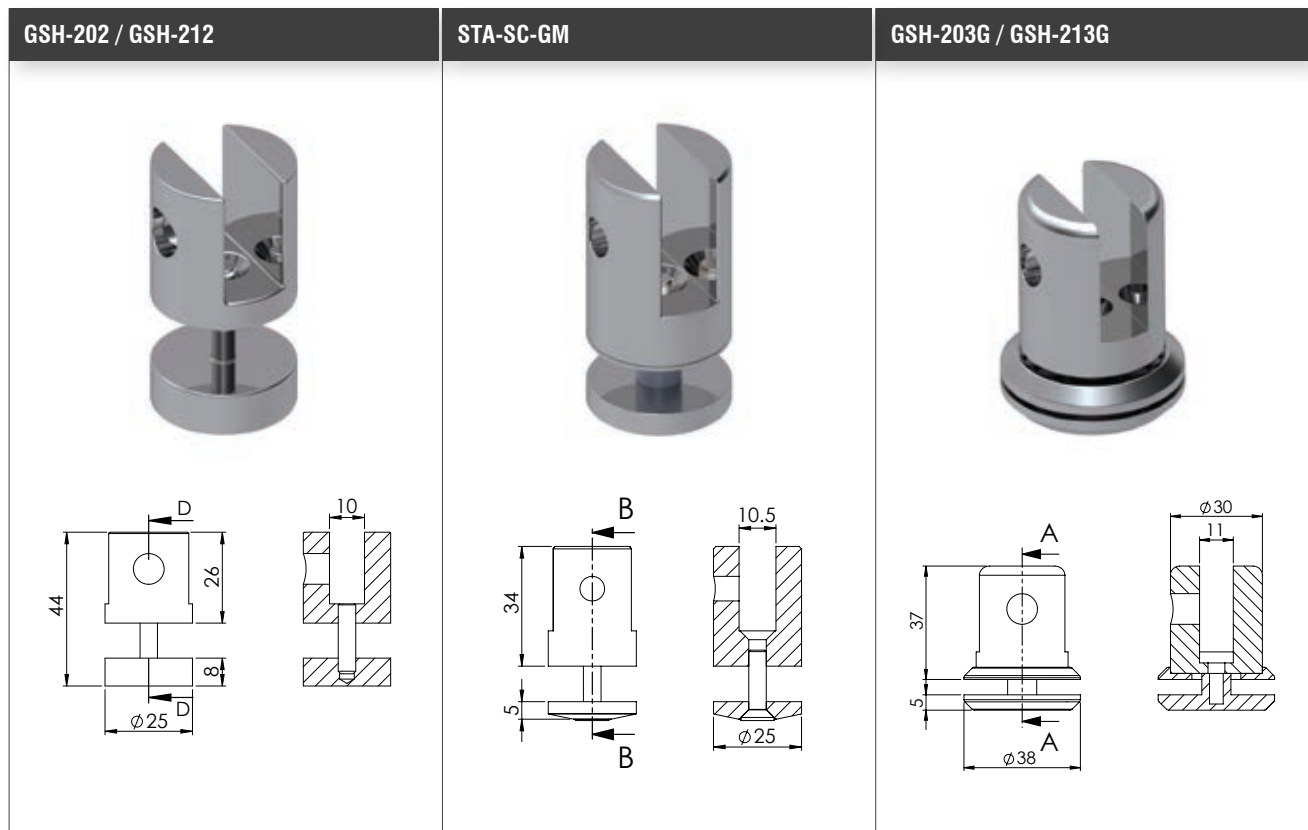
WALL TO GLASS SHELF CLAMP			
Code	Material	Finish	Glass Thickness
GSH-201	Brass	Bright Chrome Plated	6-10mm
GSH-211	Brass	Satin Chrome Plated	6-10mm
STA-SC-WM	S/S 304	Bright Polished	6-10mm
GSH-203W <sup>1</sup>	Brass	Bright Chrome Plated	6-10mm
GSH-293W <sup>1</sup>	Brass	Matte Black	6-10mm
GSH-213W <sup>2</sup>	Brass	Satin Chrome Plated	6-10mm
SH-J103	S/S 304	Bright Polished	6-10mm
SH-J82	S/S 304	Bright Polished	6-10mm
SH-J83	S/S 304	Bright Polished	6-10mm

1. Can be sold as a set.  
2. Sold only in a set.

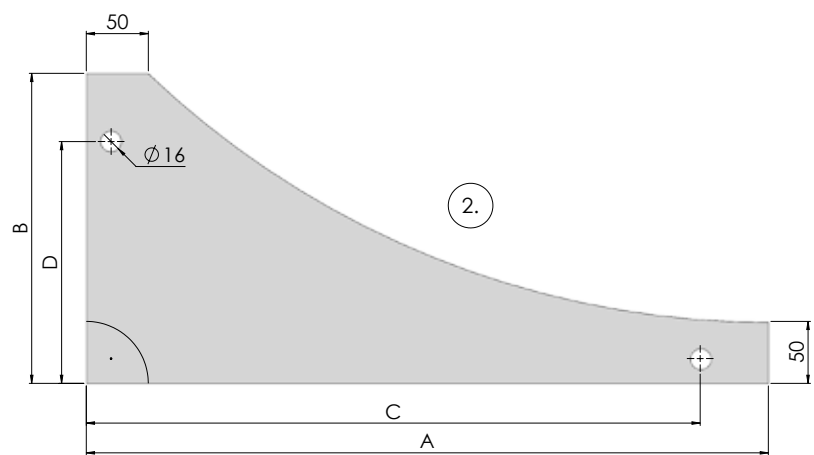
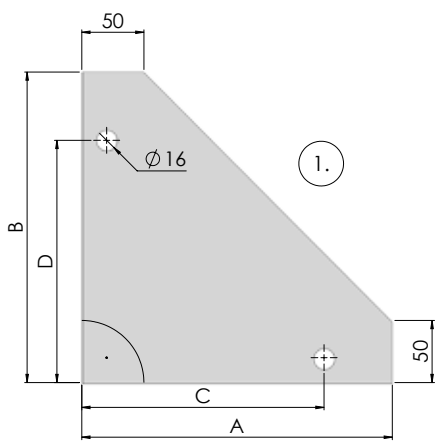
GSH-201 / GSH-211	GSH-203W / GSH-293W / GSH-213W	STA-SC-WM
SH-J103	SH-J82	SH-J83

GLASS TO GLASS SHELF CLAMP			
Code	Material	Finish	Glass Thickness
GSH-202	Brass	Bright Chrome Plated	6-10mm
GSH-212	Brass	Satin Chrome Plated	6-10mm
STA-SC-GM	S/S 304	Bright Polished	6-10mm
GSH-203G <sup>1</sup>	Brass	Bright Chrome Plated	6-10mm
GSH-293G <sup>1</sup>	Brass	Matte Black	6-10mm
GSH-213G <sup>2</sup>	Brass	Satin Chrome Plated	6-10mm

1. Can be sold as a set.  
2. Sold only in a set.



GLASS SHELVES				
Code	A	B	C	D
GSG-2030-SN <sup>1</sup>	200mm	300mm	No Hole	No Hole
GSG-2525-SH <sup>1</sup>	250mm	250mm	195mm	195mm
GSG-2525-SN <sup>1</sup>	250mm	250mm	No Hole	No Hole
GSG-3030-SH <sup>1</sup>	300mm	300mm	245mm	245mm
GSG-3030-SN <sup>1</sup>	300mm	300mm	No Hole	No Hole
GSG-5525-CH <sup>2</sup>	550mm	250mm	495mm	195mm
GSG-5525-SH <sup>1</sup>	550mm	250mm	495mm	195mm



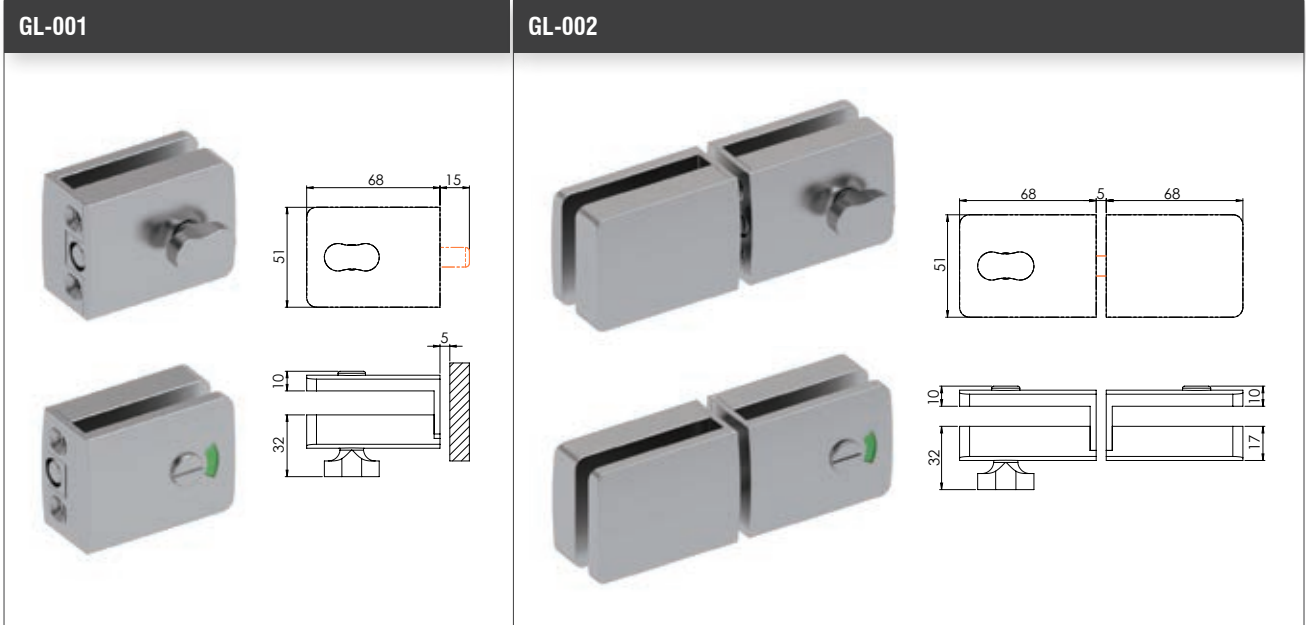


bathroom  
locks



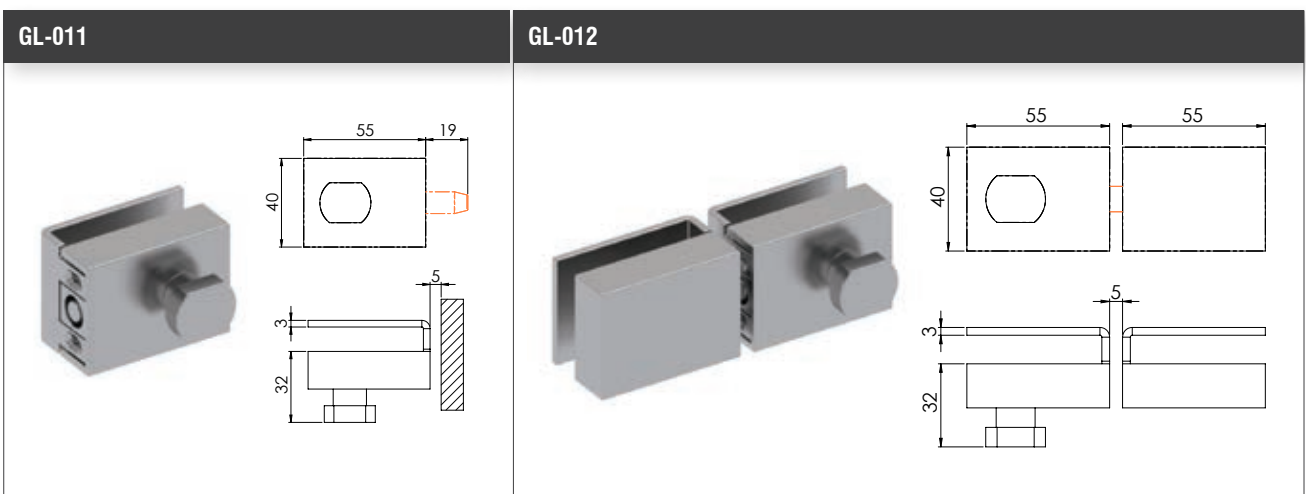
SLIP ON THUMB TURN LOCKS WITH INDICATOR

Code	Description	Material	Finish
GL-001	Wall to Glass Slip on lock with indicator (8-12mm)	Brass	Bright Chrome Plated
GL-002	Glass to Glass Slip on lock with indicator (8-12mm)	Brass	Bright Chrome Plated



SLIP ON THUMB TURN LOCKS

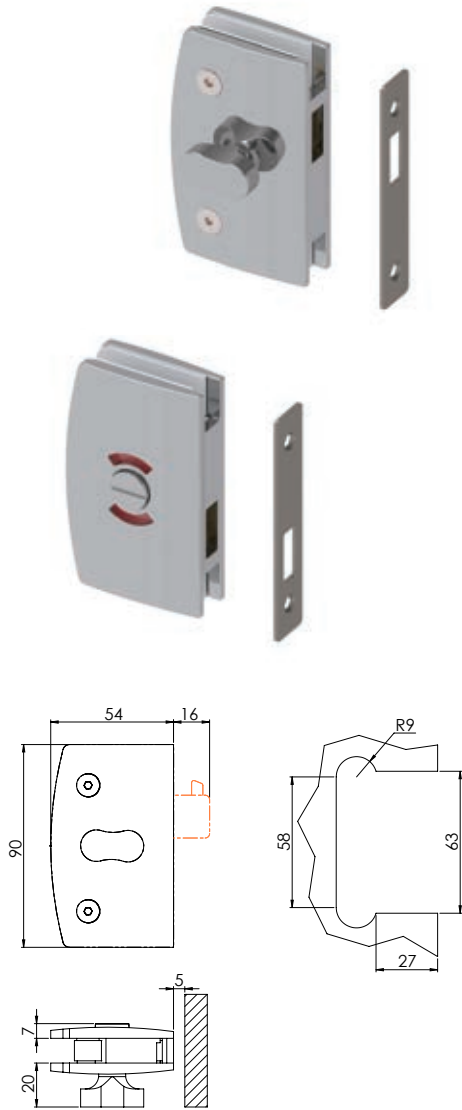
Code	Description	Material	Finish
GL-011	Wall to Glass Square slip on lock (10-12mm)	Brass	Bright Chrome Plated
GL-012	Glass to Glass Square slip on lock with keep (10-12mm)	Brass	Bright Chrome Plated



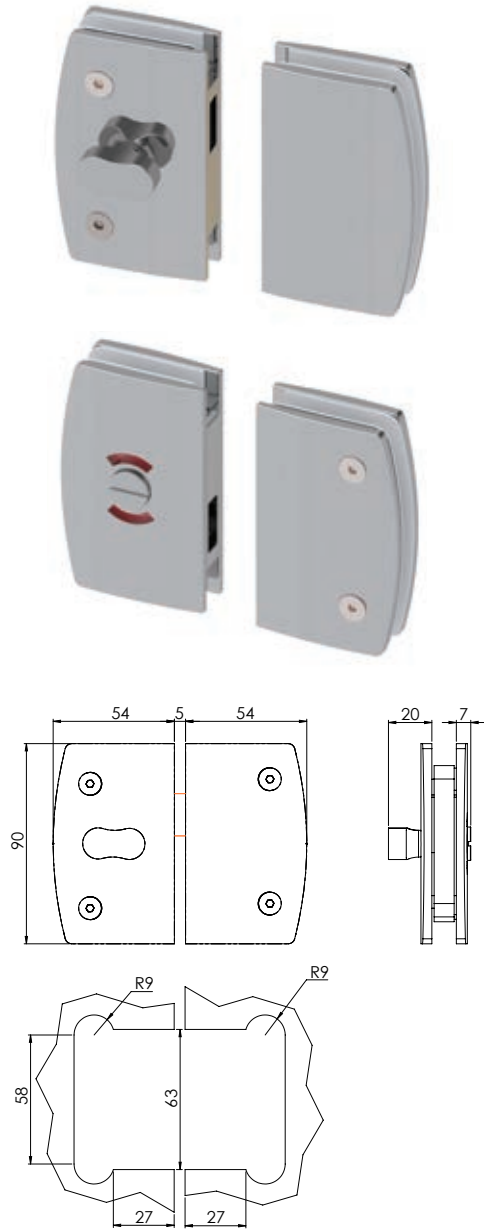
STANDARD THUMB TURN LOCKS

Code	Description	Material	Finish
GL-801	Indicator Lock with Hook (Works For Sliding Doors)	Brass	Bright Chrome Plated
GL-802	Indicator Lock with Hook and Keep Set (Works For Sliding Doors)	Brass	Bright Chrome Plated
GL-803	Lock with Hook (Works For Sliding Doors)	Brass	Bright Chrome Plated
GL-804	Glass to Glass Lock with Hook and Keep Set (Works For Sliding Doors)	Brass	Bright Chrome Plated
OXB-1041	Glass to Wall Thumb Turn Lock	Zinc	Bright Chrome Plated
OXB-1042	Glass to Glass Thumb Turn Lock	Zinc	Bright Chrome Plated

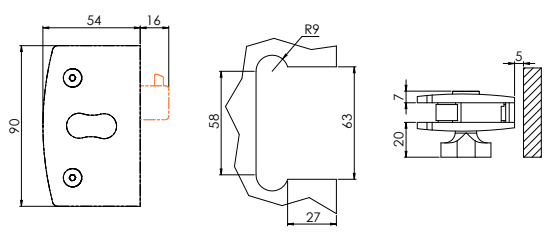
GL-801



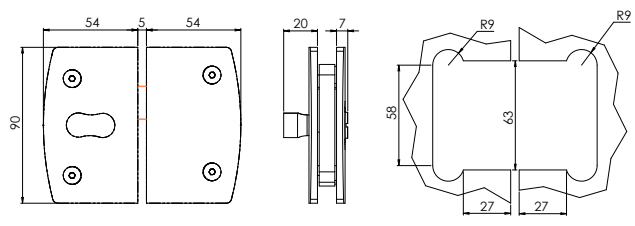
GL-802



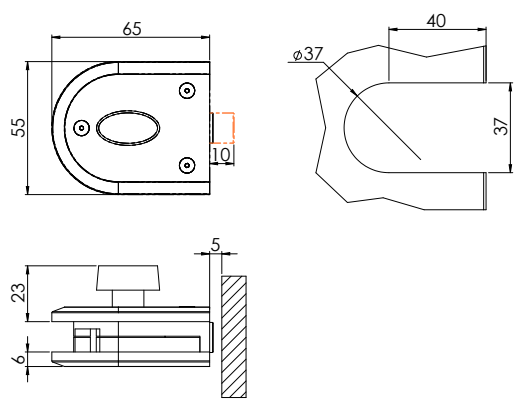
GL-803



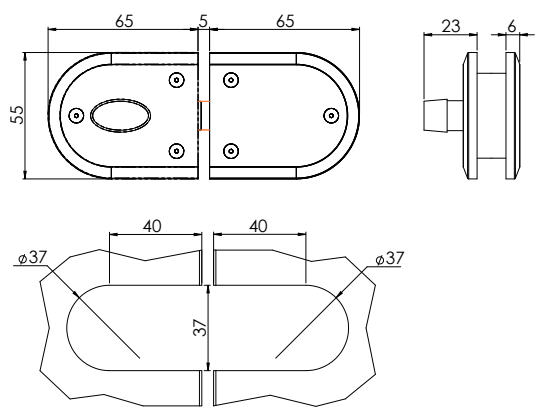
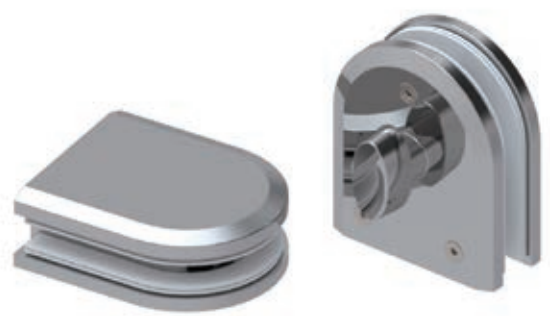
GL-804



OXB-1041



OXB-1042



# bathroom accessories



WALL TO GLASS SHELF CLAMP			
Code	Description	Material	Finish
SRHG-000P/SRHW-000P	Glass/Wall Mounted Single Robe Hook	S/S 304	Bright Polished or Brushed
SRDG-000P/SRDW-000P	Glass/Wall Mounted Double Robe Hook	S/S 304	Bright Polished or Brushed
OXB-792P	Glass Mounted Single Robe Hook	Brass	Bright Chrome Plated
SBF-000P	Free Standing Toilet Brush	S/S 304	Bright Polished or Brushed
SBW-000P	Wall Mounted Toilet Brush Holder	S/S 304	Bright Polished or Brushed
SHOG-000P/SHOW-000P	Glass/Wall Mounted Toilet Roll Holder	S/S 304	Bright Polished or Brushed
SSHG-000P/SSHW-000P	Glass/Wall Mounted Spare Toilet Roll Holder	S/S 304	Bright Polished or Brushed
SRIG-000P/SRIW-000P	Glass/Wall Mounted Towel Ring	S/S 304	Bright Polished or Brushed
DSC-501	Cylinder Floor Mount Door Stopper	S/S 304	Bright Polished
DSH-501	Half Moon Floor Mount Door Stopper	S/S 304	Bright Polished
SS2020	20 Diameter by 20mm Long Stand Off	S/S 304	Bright Polished or Brushed
SS2530	25 Diameter by 30mm Long Stand Off	S/S 304	Bright Polished or Brushed

<b>SRHG-000P/SRHW-000P</b>	<b>SRDG-000P/SRDW-000P</b>	<b>OXB-792P</b>	<b>SBF-000P</b>
			
<b>SBW-000P</b>	<b>SHOG-000P/SHOW-000P</b>	<b>SSHG-000P/SSHW-000P</b>	<b>SRIG-000P/SRIW-000P</b>
			
<b>DSC-501</b>	<b>DSH-501</b>	<b>SS2020</b>	<b>SS2530</b>
			



This slider offers a slick and modern look to any bathroom. Its clean rounded lines fit in effortlessly with any surrounding for a neat and smart finish. For the bathroom that has little room for a swinging door this system offers a compact solution.

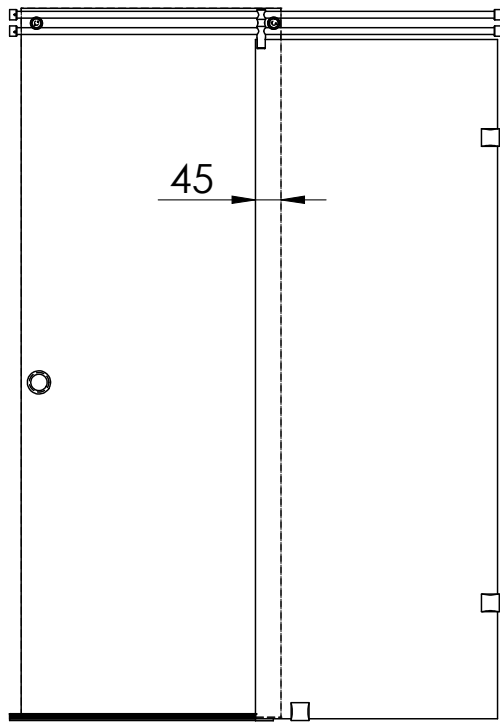
**STANDARD CONFIGURATION COMPONENTRY**

- 2x SB19-2000B      Tube
- 4x DP-FLW          Wall Flange
- 2x DP-FPL          Wall Plate
- 2x DP-RWH          Roller Wheel
- 1x DP-TSGP        Tube Support
- 1x SL-0099P        Floor Guide

Excluding seals, handles and water stops.



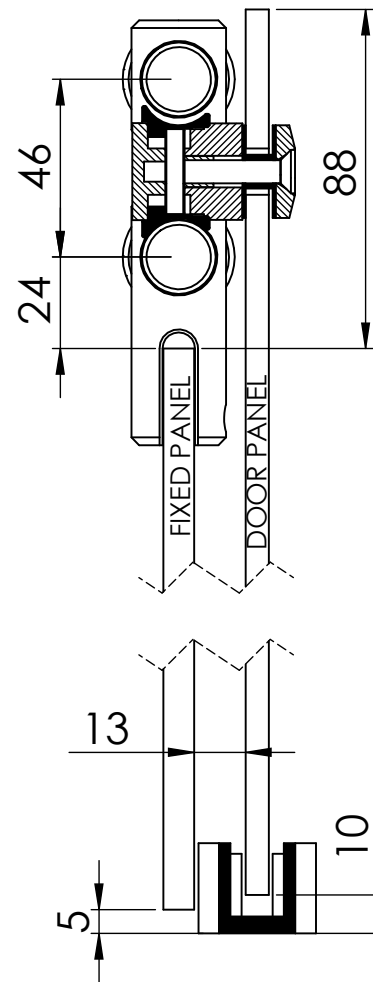
DUPLO - TECHNICAL DETAILS



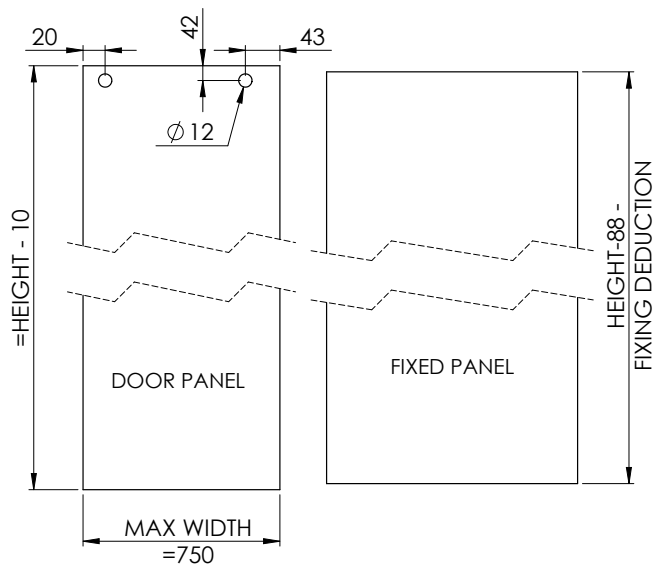
LIMITATIONS

- Glass Thickness: Door: 6mm glass  
Fixed: 6mm - 8mm glass
- Max Door width: 750mm
- Max Door Weight: 27kg
- Material: S/S 304
- Finish: Bright Polished

SHOP DRAWING



GLASS CUT OUT DETAIL





A Simplistic and sleek cut system that delivers minimalistic design aesthetics, displaying its functional parts in a beautiful manner. This slider's rectangular tube allows for sturdy assemblies while limiting the aesthetic impact of too much hardware.

**STANDARD CONFIGURATION SPECS**

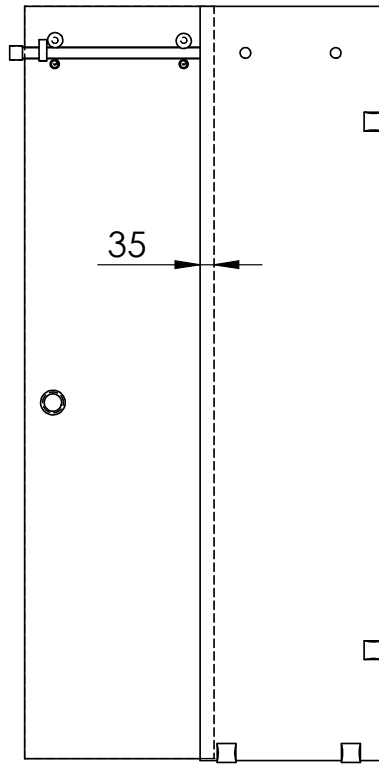
- 1x RST-2000B Slider Track
- 1x EDS-ONE Edge slider Single Door Kit
- 2x EDS-RWH Roller Wheel
- 2x EDS-ALP Anti-Lift Pin
- 2x EDS-DS Door Stop
- 2x EDS-WFL Wall Flange
- 2x EDS-GCC Glass Connector Clamp
- 1x SL-0099P Floor Guide

Excluding seals, handles and water stops.





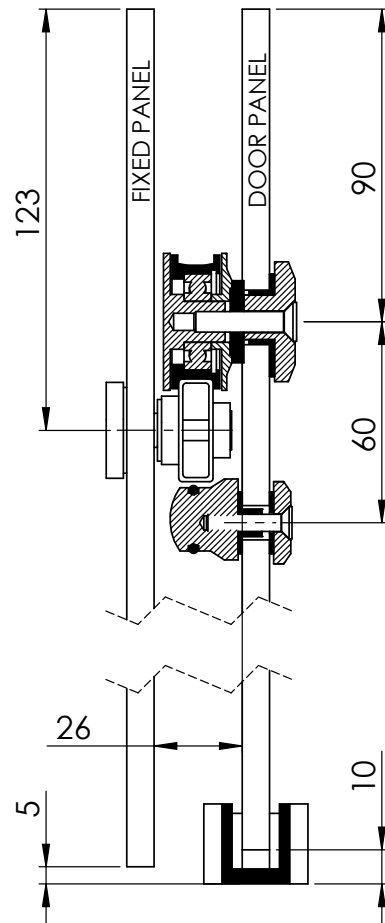
EDGE SLIDER - TECHNICAL DETAILS



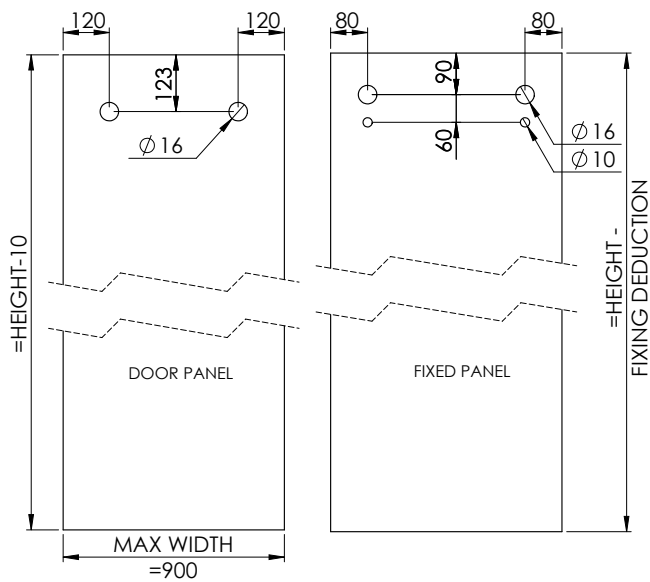
LIMITATIONS

- Glass Thickness: Door: 6mm - 10mm glass  
Fixed: 6mm - 10mm glass
- Max Door width: 850mm
- Max Door Weight: 45kg
- Material: S/S 304
- Finish: Bright Polished
- Adjustment: Wheels and Anti-Lifts are adjustable in height.

SHOP DRAWING



GLASS CUT OUT DETAIL



# city slider

An extremely versatile system able to provide a simple solution to several situations. This slider can be side mounted to a wall, ceiling fixed or fixed between two walls. It can be used as a doorway slider, a shower slider for regular configurations as well as for the extra tight bathroom as a corner slider.

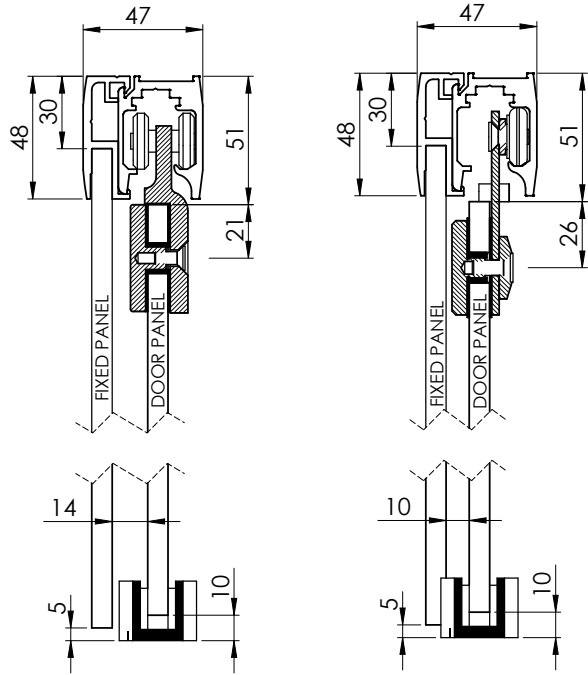
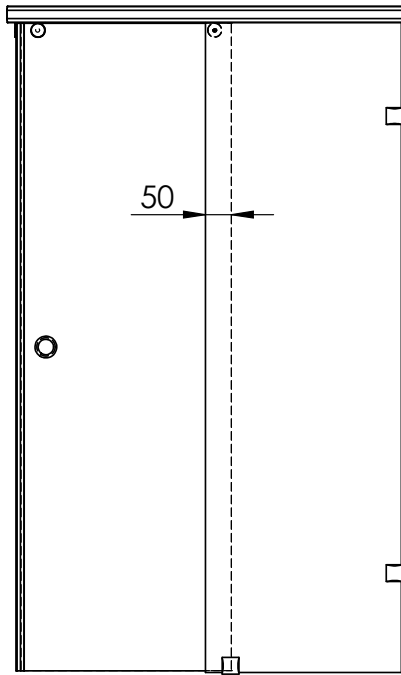
## STANDARD CONFIGURATION SPECS

- |                         |                                 |
|-------------------------|---------------------------------|
| • 1x CSLT-2000B         | Slider Track                    |
| • 1x CSLF-2000B         | Slider Fixed Adapter            |
| • 2x CSL-RWH/CSL-RWH-HD | Roller Wheel Clip In/Heavy Duty |
| • 2x CSL-DBC            | Door Stopper                    |
| • 1x SL-0099P           | Floor Guide                     |

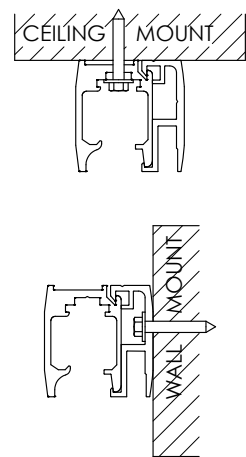
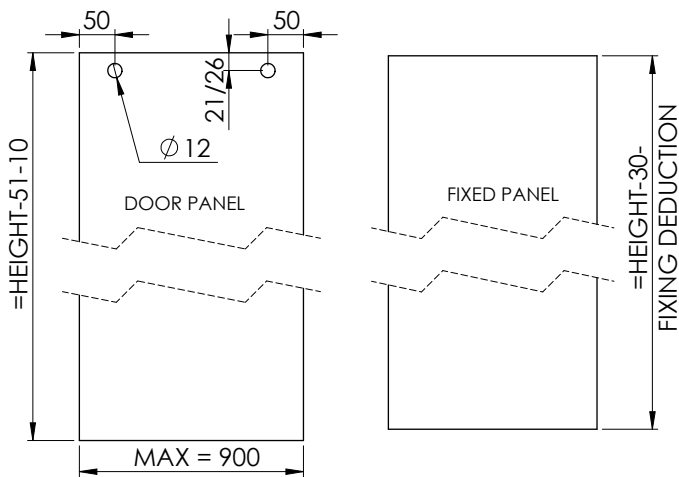
Excluding seals, handles and water stops.



CITY SLIDER - OVERVIEW | SHOP DRAWING



GLASS CUT OUT DETAIL | MOUNTING OPTIONS



LIMITATIONS

- Glass Thickness: Door: 6mm - 10mm glass  
Fixed: 6mm - 8mm glass
- Max Door width: 850mm
- Max Door Weight: 45kg
- Material: S/S 304 and Aluminium
- Finish: Bright Polished/Brushed and Bright Polished/Natural Anodized.

# balustrades

A photograph of a modern glass balustrade installed on a wooden floor. The balustrade consists of clear glass panels held together by black frames and supported by stainless steel spigots. The background shows a bright, minimalist interior with white walls and a recessed ceiling light.

Balustrades offer simple elegance combined with functionality ensure visual aesthetics. The attractive minimalist style, with the smooth finish, ensures ease of maintenance.

# FLOOR MOUNTS

## BALUSTRADE CHANNEL - TECHNICAL DETAILS

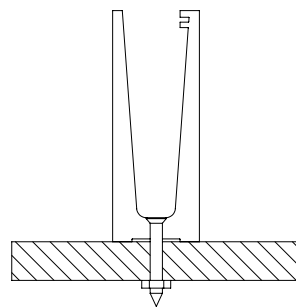
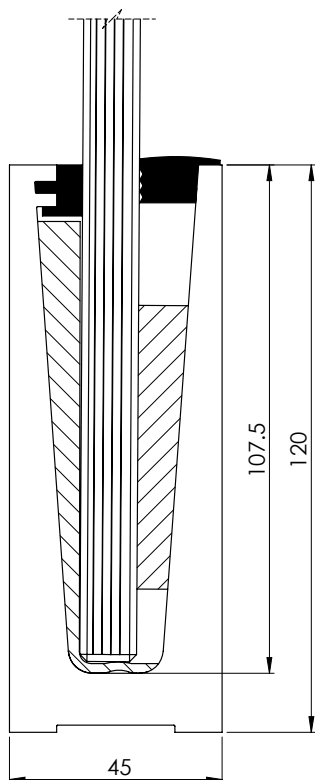
Code: BUWC-2500N

Balustrade channel designed for residential and commercial use when used with a handrail.

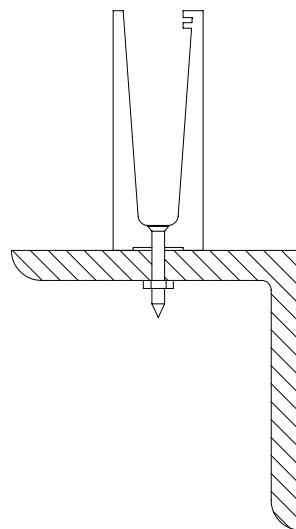
- Supplied complete with fixing kit, gasket and wedges.
- Supplied in 2500mm length.
- Supplied with predrilled holes and water drainage holes.
- Can be installed on timber, concrete and steel beams.
- Extruded in T6 6063 aluminium.
- Glass Thickness: 12mm glass

### Available Finishes

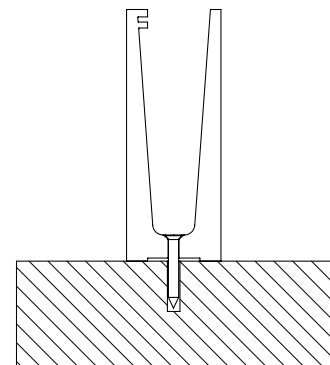
- Natural Anodized
- Selected powder coated colours available, lead times apply.



TIMBER MOUNTED



BEAM MOUNTED



FLOOR MOUNTED



# FLOOR MOUNTS

## SPIGOTS - TECHNICAL DETAILS

Code: BFM-511

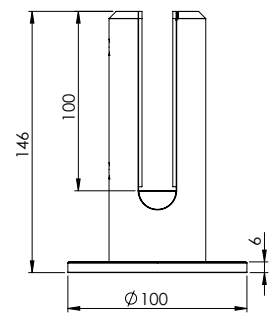
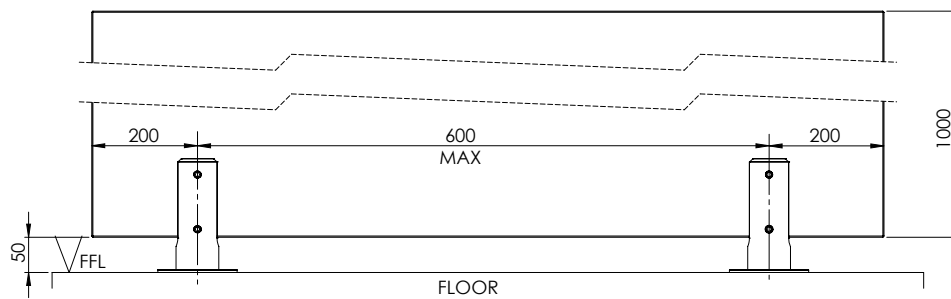
- Spigot can be fastened to concrete, wooden floors or beams using 4x screws that are supplied.
- Cover plate can be ordered separately
- Manufactured in 304 stainless steel.
- 316 stainless steel can be ordered on request. Lead times apply.
- No holes required in the glass.
- Optional cover plate available
- Glass Thickness: 12mm - 15mm glass.

### Available Finishes

- Brushed stainless steel



### Recommended Details



# SIDE MOUNTS

## STAND OFFS - TECHNICAL DETAILS

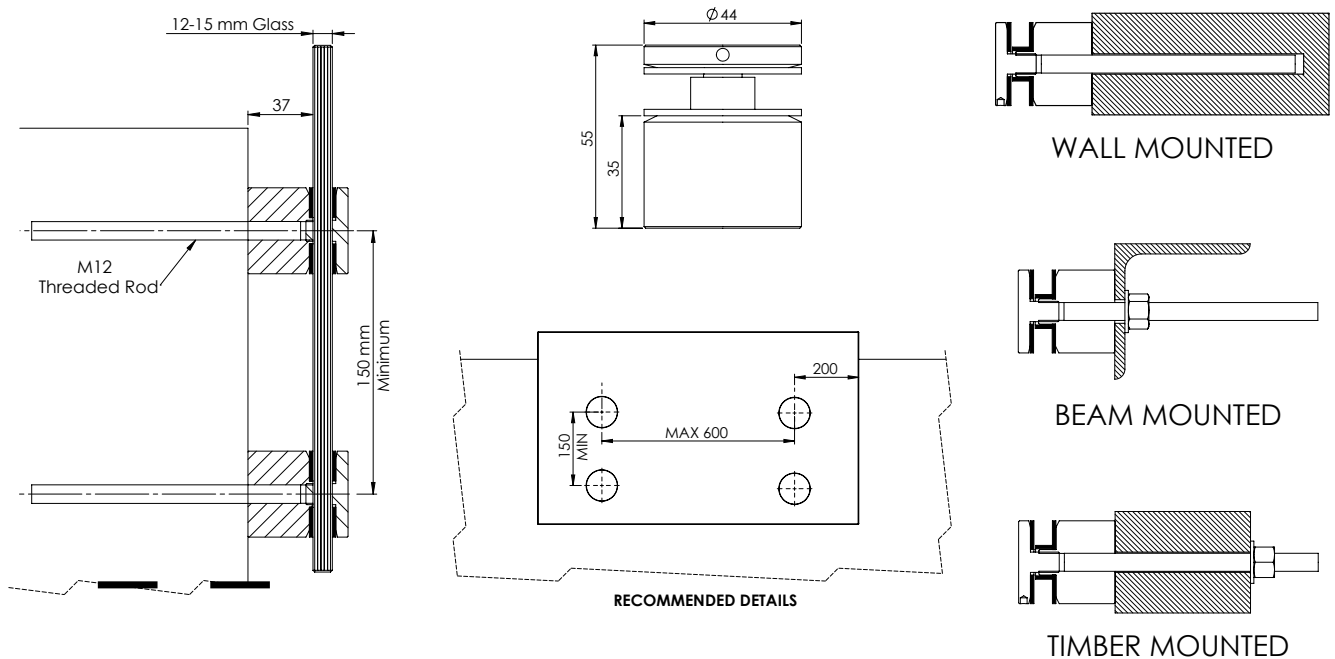
Code: BSM-511

### Flat surface cap side mount

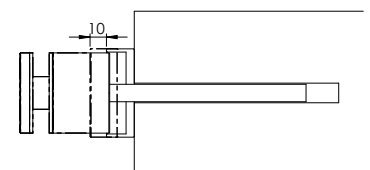
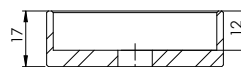
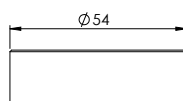
- Side Mounts can be fastened to concrete, timber or steel beams using a threaded rod.
- Supplied with a M12 threaded rod.
- As an option a sleeve can be supplied for adjustment of 7mm.
- Manufactured in 304 stainless steel.
- 316 stainless steel can be ordered on request. Lead times apply.
- Recommended hole diameter on glass is 25mm
- Glass Thickness: 12mm - 15mm glass.

### Available Finishes

- Brushed stainless steel
- Selected powder coated colours available, lead times apply.



BSM-511-SL



# SIDE MOUNTS

## STAND OFFS - TECHNICAL DETAILS

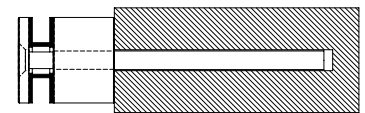
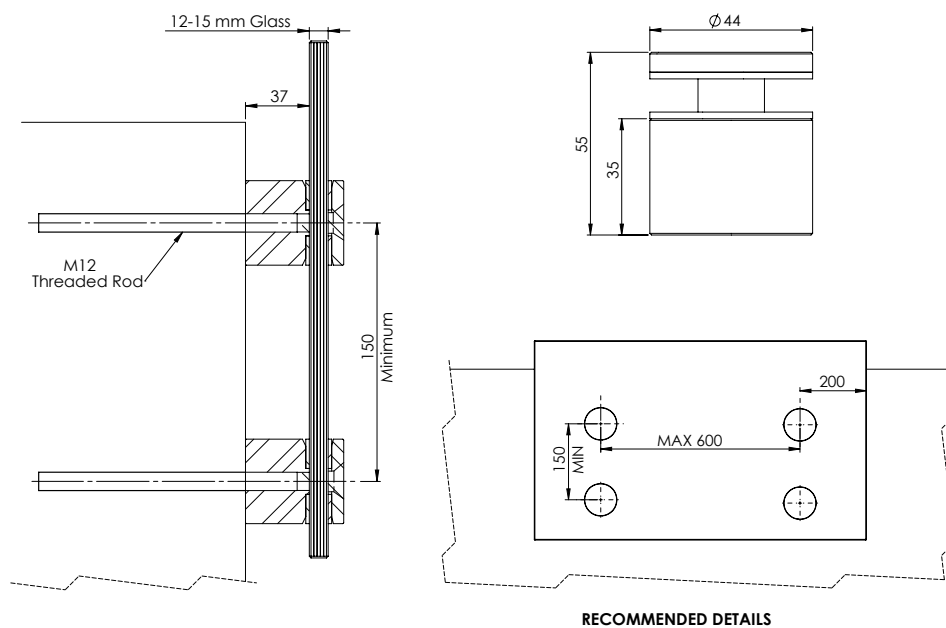
Code: BSM-512

### Allan Cap side mount

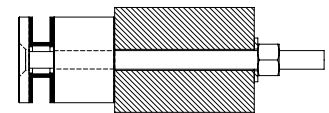
- Side Mounts can be fastened to concrete, timber or steel beams using a threaded rod.
- Supplied with a M12 threaded rod.
- As an option a sleeve can be supplied for adjustment of 7mm.
- Manufactured in 304 stainless steel.
- 316 stainless steel can be ordered on request. Lead times apply.
- Recommended hole diameter on glass is 25mm
- Glass Thickness: 12mm - 15mm glass.

### Available Finishes

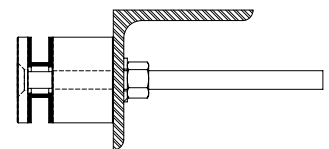
- Brushed stainless steel
- Selected powder coated colours available, lead times apply.



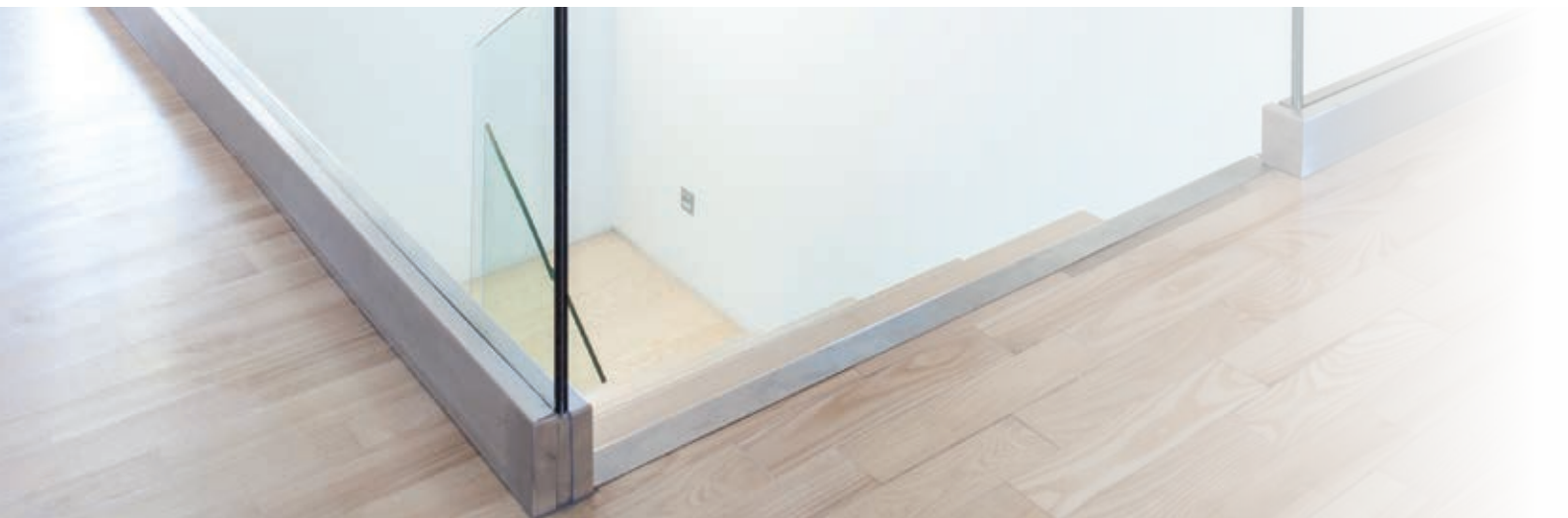
WALL MOUNTED



TIMBER MOUNTED



BEAM MOUNTED





# HAND RAIL

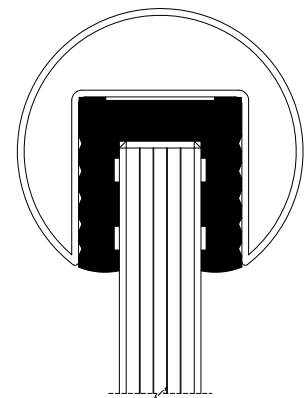
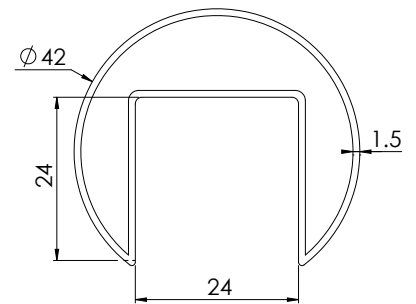
## SLOTTED HAND RAIL - TECHNICAL DETAILS

Code: BHR42

- Rubber Gasket as well as other handrail accessories available on request.
- 6000mm and 3000mm lengths available.
- Easy install using handrail accessories, no welding required.
- Manufactured in 316 stainless steel.
- Glass Thickness: 10 - 12mm glass

### Available Finishes

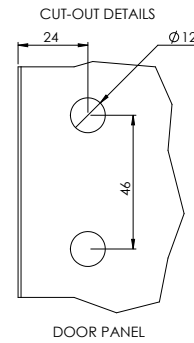
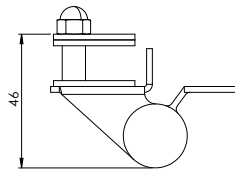
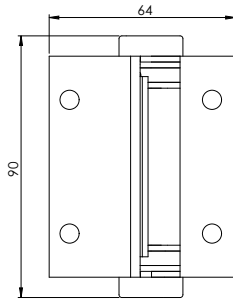
- Brushed stainless steel



# HINGES

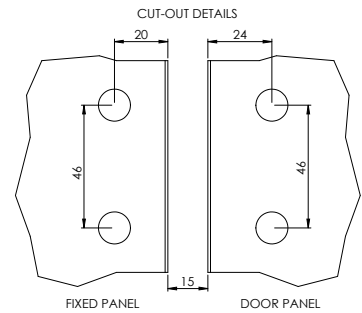
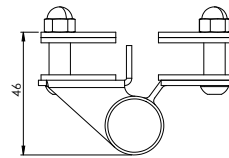
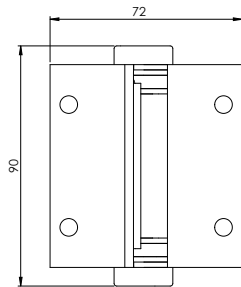
## 90° WALL TO GLASS HINGE WITH SELF CLOSE FUNCTION

Code	Material	Finish	Weight	Glass Thickness
BGH-601-90	S/S 316	Bright Polished	35kg	8-12mm
BGH-611-90	S/S 316	Brushed	35kg	8-12mm



## 180° GLASS TO GLASS HINGE WITH SELF CLOSE FUNCTION

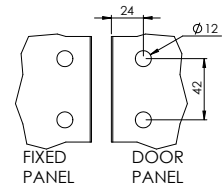
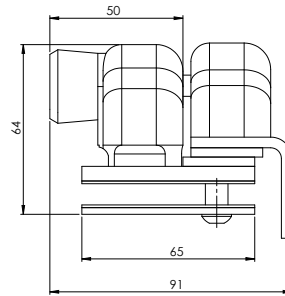
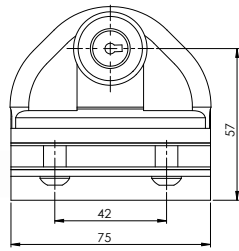
Code	Material	Finish	Weight	Glass Thickness
BGH-602-180	S/S 316	Bright Polished	35kg	8-12mm
BGH-612-180	S/S 316	Brushed	35kg	8-12mm



# LOCKS

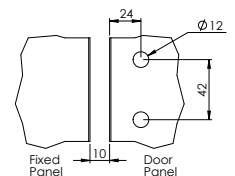
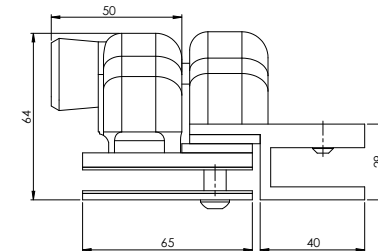
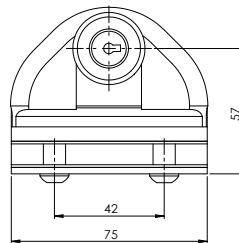
## 90° WALL TO GLASS MAGNETIC BALUSTRADE LOCK WITH KEY

Code	Material	Finish	Glass Thickness
BGL-601-90	S/S 316	Bright Polished	8-12mm
BGL-611-90	S/S 316	Brushed	8-12mm



## 180° GLASS TO GLASS MAGNETIC BALUSTRADE LOCK WITH KEY

Code	Material	Finish	Glass Thickness
BGL-602-180	S/S 316	Bright Polished	8-12mm
BGH-612-180	S/S 316	Brushed	8-12mm



# patch fittings

Overpanel and angled overpanel fittings are available in a highly specialised range suitable for diverse applications. Stainless steel cover plates and expert manufacture ensures precise installation.

**BOTTOM CORNER PATCH (SP10)**

**DESCRIPTION**

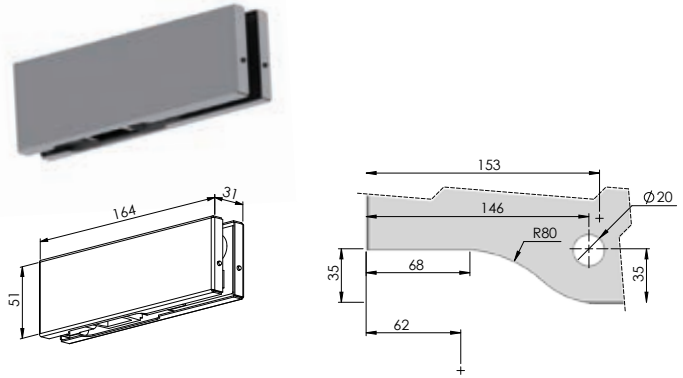
With Bottom Insert for Double Action for Floor Spring Adjustable Pivot (55/65mm)

Glass thickness: 8, 10, 12 and 15mm.

Internal Body Material: Aluminium

Cover Plate Material: S/S 304

Available in: Brushed or Polished



**TOP CORNER PATCH (SP20)**

**DESCRIPTION**

With plastic bushing for Ø15mm pin

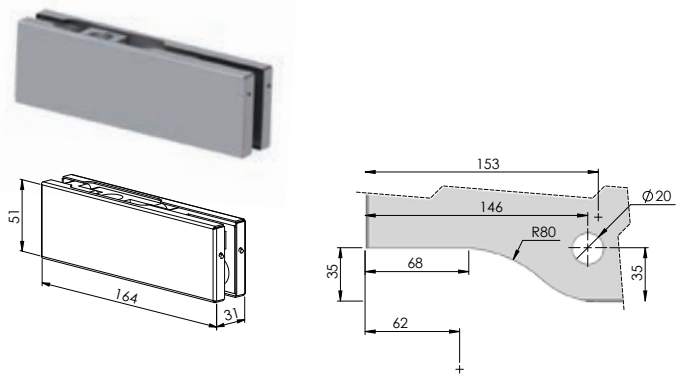
Adjustable Pivot (55/65mm)

Glass thickness: 8, 10, 12 and 15mm.

Internal Body Material: Aluminium

Cover Plate Material: S/S 304

Available in: Brushed or Polished



**LEVER LOCK HANDLE WITH KEY AND THUMB TURN (SP21L)**

**DESCRIPTION**

Latch Bolt

Euro Cylinder Pin with 3 keys & Thumb turn.

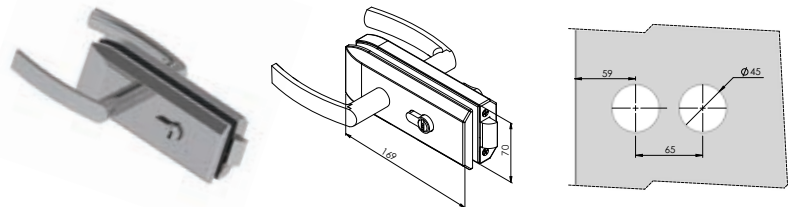
Glass thickness: 8, 10, 12 and 15mm.

Internal Body Material: Aluminium

Cover Plate Material: S/S 304

Available in: Brushed or Polished

Includes Striker Plate



**KEEP FOR LEVER LOCK HANDLE WITH KEY AND THUMB TURN (SP21B)**

**DESCRIPTION**

Works in Conjunction With SP21L

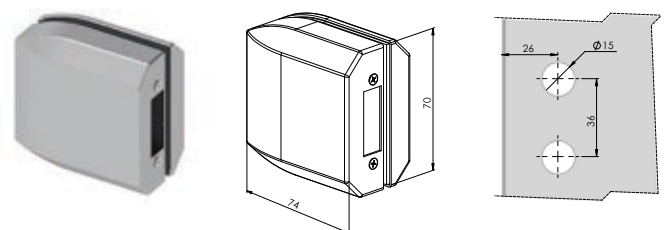
Lock Throw Reciever

Glass thickness: 8, 10, 12 and 15mm.

Internal Body Material: Aluminium

Cover Plate Material: S/S 304

Available in: Brushed or Polished



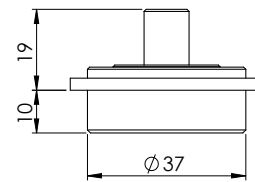
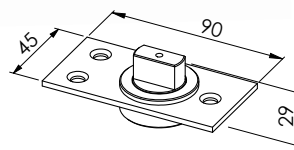
**FREE PIVOT BEARING (SP23)**

**DESCRIPTION**

Internal Free Pivoting Thrust Bearing

Cover Plate Material: S/S 304

Available in: Brushed or Polished



**TOP PIVOT PIN (SP24)**

**DESCRIPTION**

With Ø15mm pin

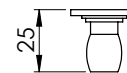
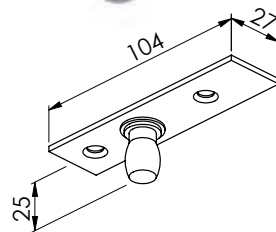
Adjustable Pivot (55/65mm)

Glass thickness: 8, 10, 12 and 15mm.

Internal Body Material: Aluminium

Cover Plate Material: S/S 304

Available in: Brushed or Polished



**OVERPANEL PATCH WITH PIN (SP30)**

**DESCRIPTION**

With Ø15mm pin and wall plate

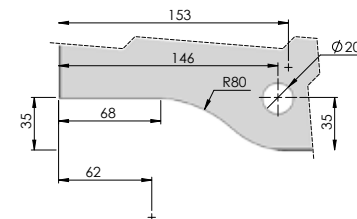
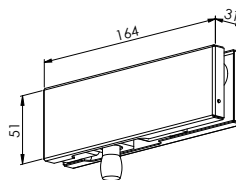
Adjustable Pivot (55/65mm)

Glass thickness: 8, 10, 12 and 15mm.

Internal Body Material: Aluminium

Cover Plate Material: S/S 304

Available in: Brushed or Polished



**ANGLED OVERPANEL PATCH WITH PIN (SP40)**

**DESCRIPTION**

With Ø15mm pin

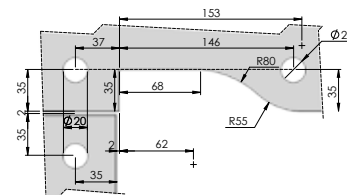
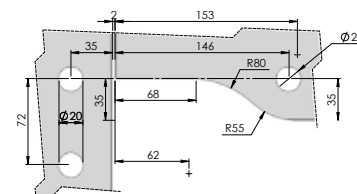
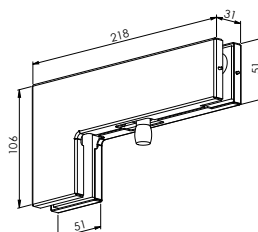
Adjustable Pivot (55/65mm)

Glass thickness: 8, 10, 12 and 15mm.

Internal Body Material: Aluminium

Cover Plate Material: S/S 304

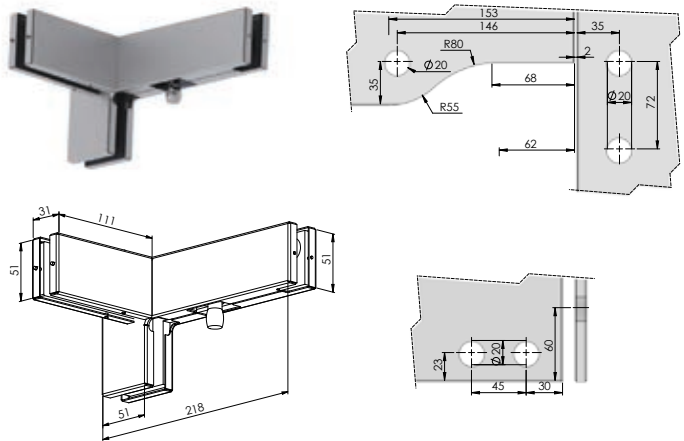
Available in: Brushed or Polished



**ANGLED OVERPANEL PATCH WITH FIN CONNECTOR AND PIN LEFT HANDED (SP41L)**

**DESCRIPTION**

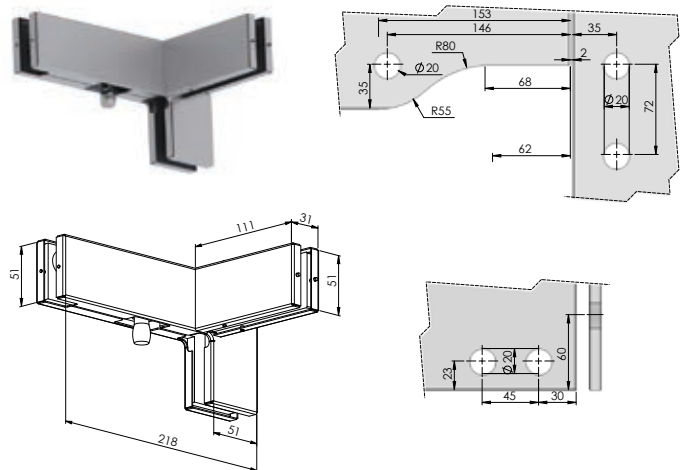
With Ø15mm pin  
 Adjustable Pivot (55/65mm)  
 Glass thickness: 8, 10, 12 and 15mm.  
 Internal Body Material: Aluminium  
 Cover Plate Material: S/S 304  
 Available in: Brushed or Polished



**ANGLED OVERPANEL PATCH WITH FIN CONNECTOR AND PIN RIGHT HANDED (SP41R)**

**DESCRIPTION**

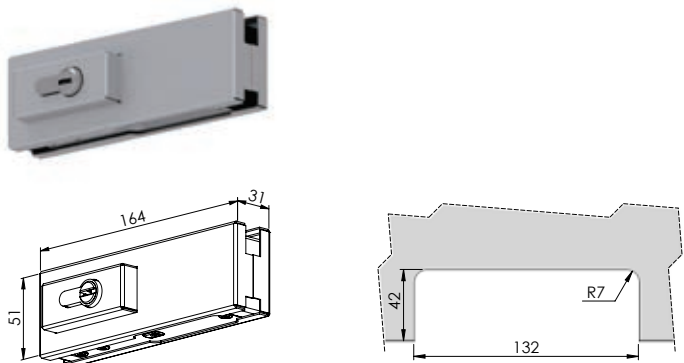
With Ø15mm pin  
 Adjustable Pivot (55/65mm)  
 Glass thickness: 8, 10, 12 and 15mm.  
 Internal Body Material: Aluminium  
 Cover Plate Material: S/S 304  
 Available in: Brushed or Polished



**BOTTOM CORNER LOCK (SP50)**

**DESCRIPTION**

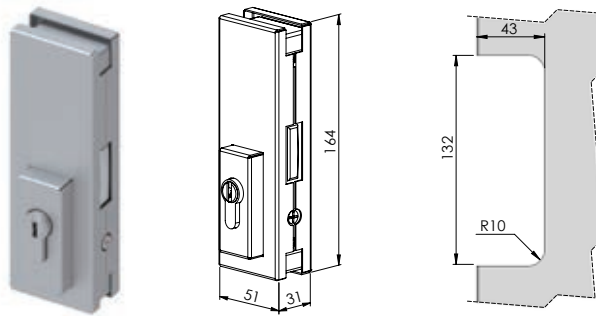
Semi-Round Single-Throw Bolt Ø15mm  
 Euro Cylinder Pin with 3 Keys  
 Glass thickness: 8, 10, 12 and 15mm.  
 Internal Body Material: Aluminium  
 Cover Plate Material: S/S 304  
 Available in: Brushed or Polished  
 Includes Striker Plate



**CENTRE PATCH LOCK (SP52)**

**DESCRIPTION**

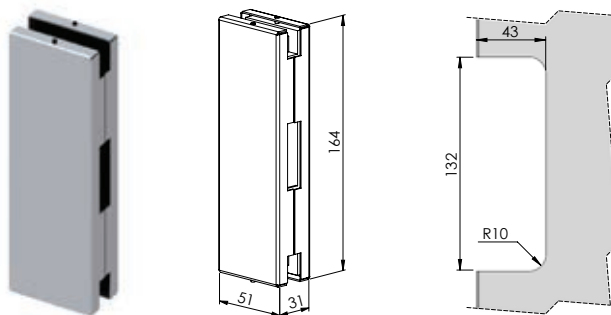
Rectangular Single-Throw Bolt  
 Euro Cylinder Pin with 3 Keys  
 Glass thickness: 8, 10, 12 and 15mm  
 Internal Body Material: Aluminium.  
 Cover Plate Material: S/S 304.  
 Available in: Brushed or Polished.  
 Includes Striker Plate



**CENTRE PATCH KEEP (SP53)**

**DESCRIPTION**

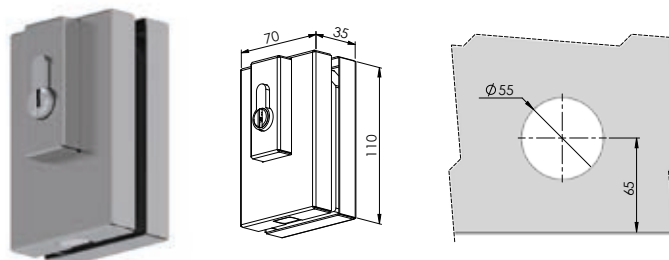
Works in Conjunction With SP52  
 Lock Throw Receiver  
 Glass thickness: 8, 10, 12 and 15mm  
 Internal Body Material: Aluminium  
 Cover Plate Material: S/S 304  
 Available in: Brushed or Polished



**SQUARE BOTTOM LOCK (SP55)**

**DESCRIPTION**

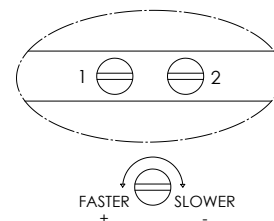
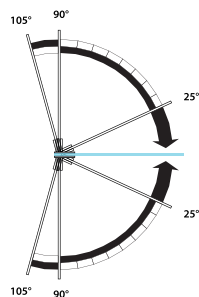
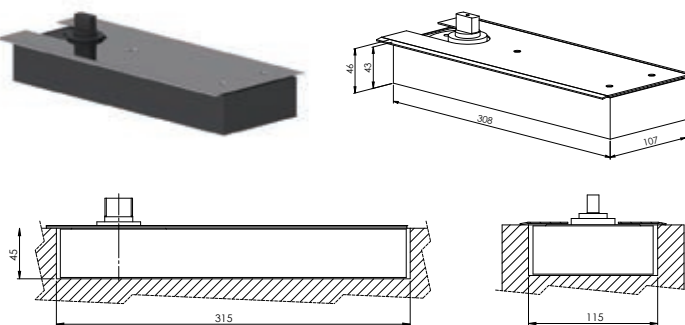
Semi-Round Single-Throw Bolt  $\varnothing 15\text{mm}$   
 Euro Cylinder Pin with 3 Keys  
 Glass thickness: 8, 10, 12 and 15mm  
 Internal Body Material: Aluminium  
 Cover Plate Material: S/S 304  
 Available in: Brushed or Polished



**DOUBLE ACTION SUNKEN FLOOR SPRING (SP550)**

**DESCRIPTION**

Door Opening Angle Maximum:  $105^\circ$   
 Closing Speed:  $90^\circ - 25^\circ$   
 Latching Speed:  $25^\circ - 0^\circ$   
 Maximum Door Weight: 120kg  
 Maximum Door Width: 1200mm  
 Available in: Brushed or Polished  
 With Standard Thru-axle distance of 10mm  
 Includes Cement Box

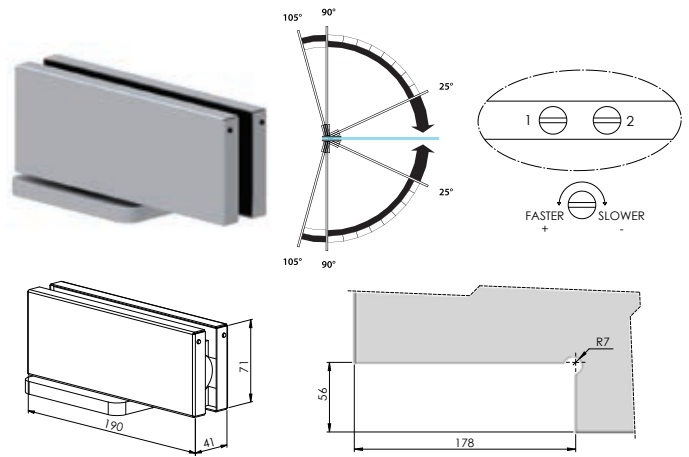




**CONCEALED FLOOR SPRING ABOVE THE GROUND (SP600)**

**DESCRIPTION**

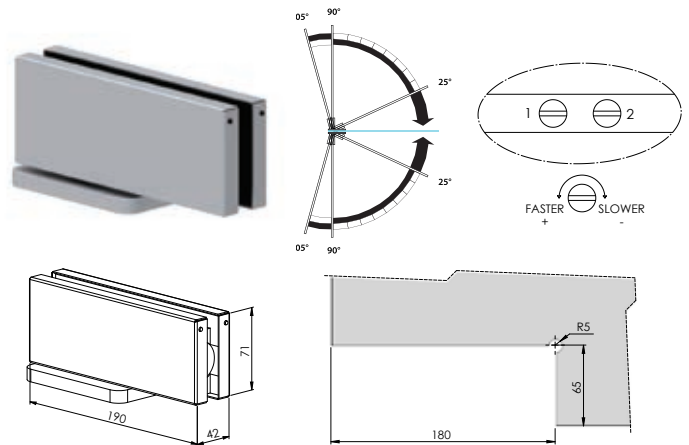
Door Opening Angle Maximum: 105°  
 Closing Speed: 90° - 25°  
 Latching Speed: 25° - 0°  
 Maximum Door Weight: 85kg  
 Maximum Door Width: 850mm  
 Glass thickness: 8, 10 and 12mm  
 Available in: Brushed or Polished



**CONCEALED FLOOR SPRING ABOVE THE GROUND (SP610)**

**DESCRIPTION**

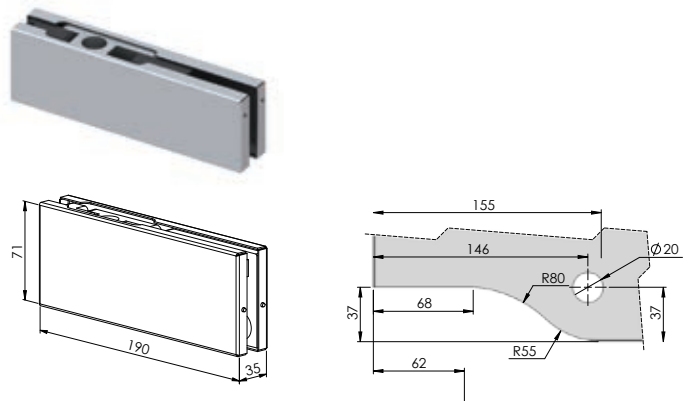
Door Opening Angle Maximum: 105°  
 Closing Speed: 90° - 25°  
 Latching Speed: 25° - 0°  
 Maximum Door Weight: 100kg  
 Maximum Door Width: 1000mm  
 Glass thickness: 8, 10 and 12mm  
 Available in: Brushed or Polished



**TOP CORNER PATCH (SP620)**

**DESCRIPTION**

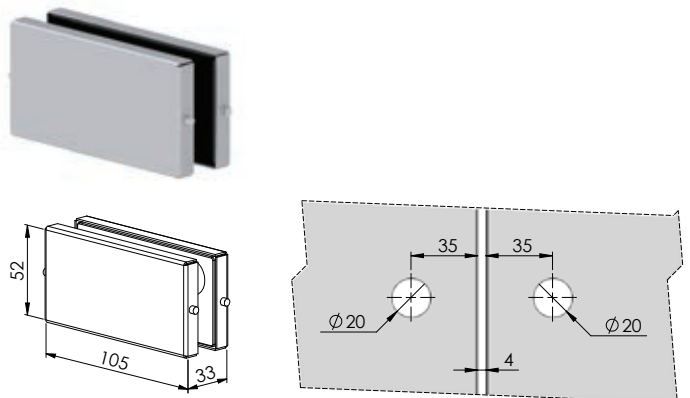
With plastic bushing for Ø15mm pin  
 Adjustable Pivot (55/65mm)  
 Glass thickness: 8, 10, 12 and 15mm  
 Internal Body Material: Aluminium  
 Cover Plate Material: S/S 304  
 Available in: Brushed or Polished  
 Includes Pivot Pin (SP24)



**180° GLASS TO GLASS CONNECTOR (SP72)**

**DESCRIPTION**

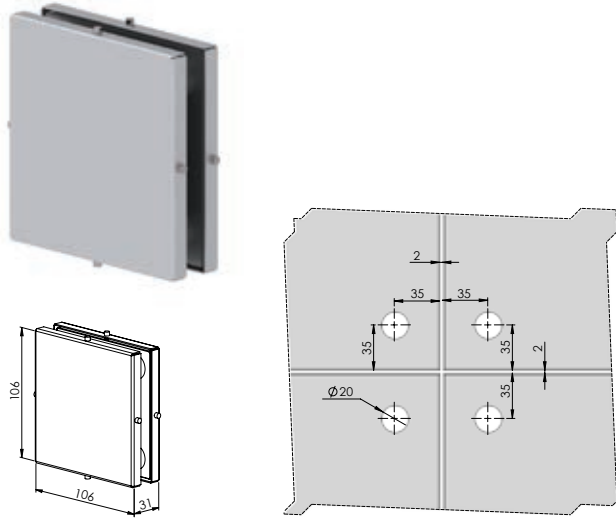
Glass thickness: 8, 10, 12 and 15mm  
 Internal Body Material: Aluminium  
 Cover Plate Material: S/S 304  
 Available in: Brushed or Polished



**4 PANEL CONNECTOR OF GLASS (SP80)**

**DESCRIPTION**

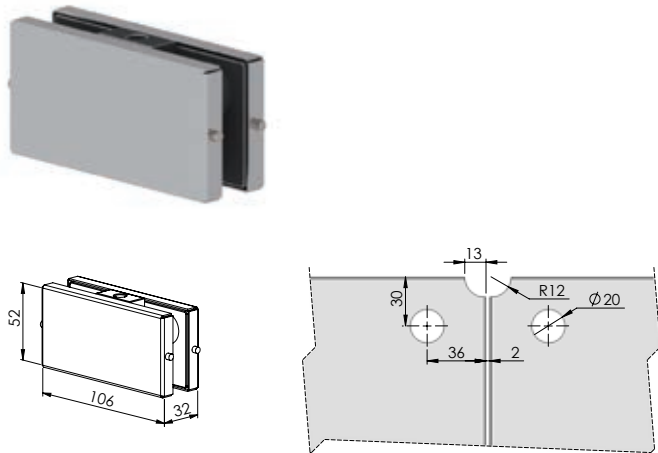
Glass thickness: 8, 10, 12 and 15mm  
 Internal Body Material: Aluminium  
 Cover Plate Material: S/S 304  
 Available in: Brushed or Polished



**90° GLASS TO WALL CONNECTOR 2 HOLES (SP84)**

**DESCRIPTION**

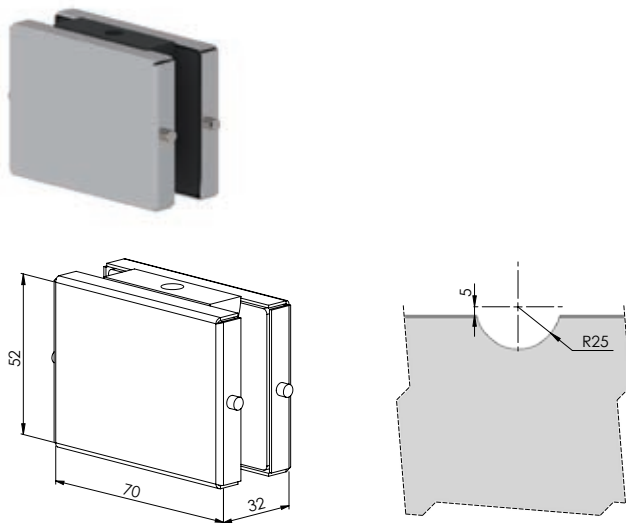
Glass thickness: 8, 10, 12 and 15mm  
 Internal Body Material: Aluminium  
 Cover Plate Material: S/S 304  
 Available in: Brushed or Polished



**90° WALL TO GLASS CLAMP (SP90)**

**DESCRIPTION**

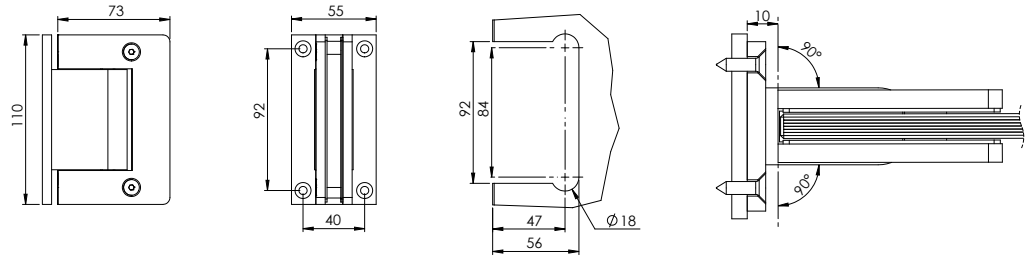
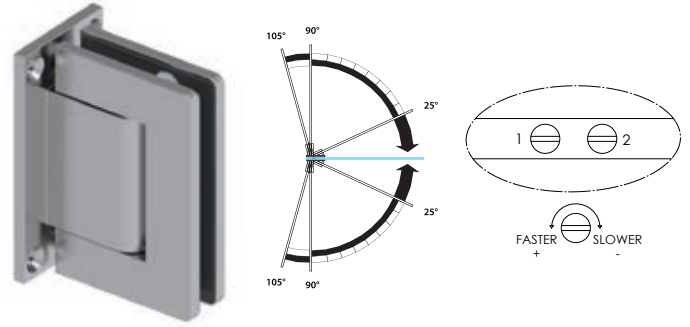
Glass thickness: 8, 10, 12 and 15mm  
 Internal Body Material: Aluminium  
 Cover Plate Material: S/S 304  
 Available in: Brushed or Polished



**90° WALL TO GLASS HYDRAULIC DOOR HINGE (PAIR)**

**DESCRIPTION**

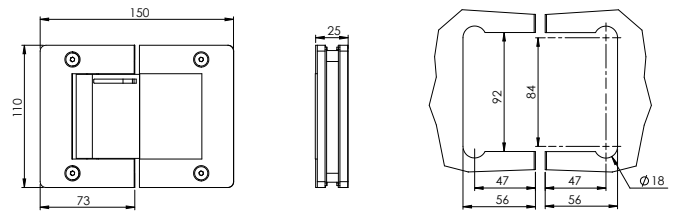
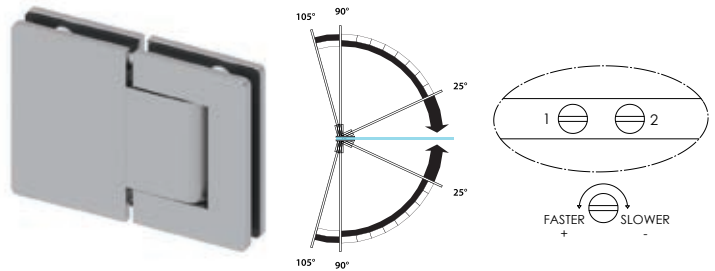
- Glass thickness: 8, 10 and 12mm
- Material: S/S 316
- Available in: Brushed Stainless Steel
- Maximum Door Weight: 60kg
- Maximum Door Width: 1000mm
- Maximum Door Height: 2400mm
- Hold Open: 90°
- Closing Speed: 65° - 35°
- Latching Speed: 35° - 0°



**180° GLASS TO GLASS HYDRAULIC DOOR HINGE (PAIR)**

**DESCRIPTION**

- Glass thickness: 8, 10 and 12mm
- Material: S/S 316
- Available in: Brushed Stainless Steel
- Maximum Door Weight: 60kg
- Maximum Door Width: 1000mm
- Maximum Door Height: 2400mm
- Hold Open: 90°
- Closing Speed: 65° - 35°
- Latching Speed: 35° - 0°

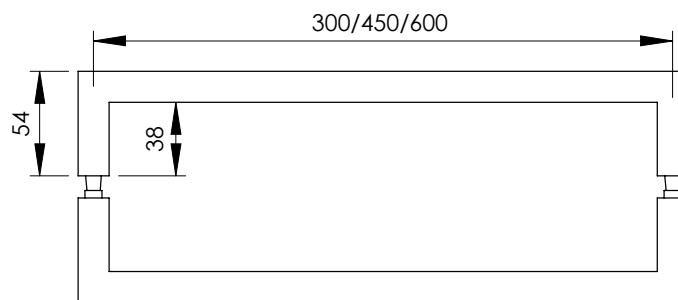


# shopfront handles

## PULL HANDLES

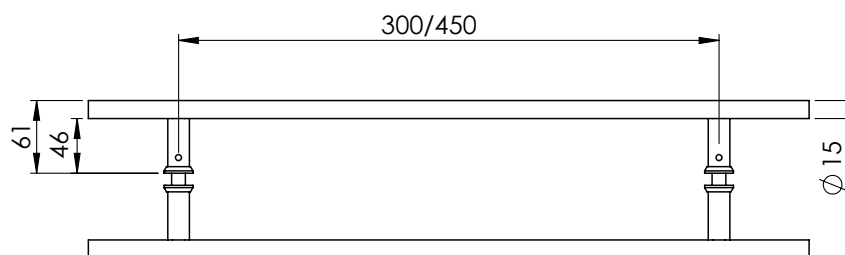
### SQUARE PULL HANDLE

Code	CTC of Holes	Hole Size	Tube Size	Material	Finish
PHS-300S	300mm	12Ø	16mm	S/S 304	Brushed
PHS-450S	450mm	12Ø	16mm	S/S 304	Brushed
PHS-600S	600mm	12Ø	16mm	S/S 304	Brushed



### OVAL T PULL HANDLE

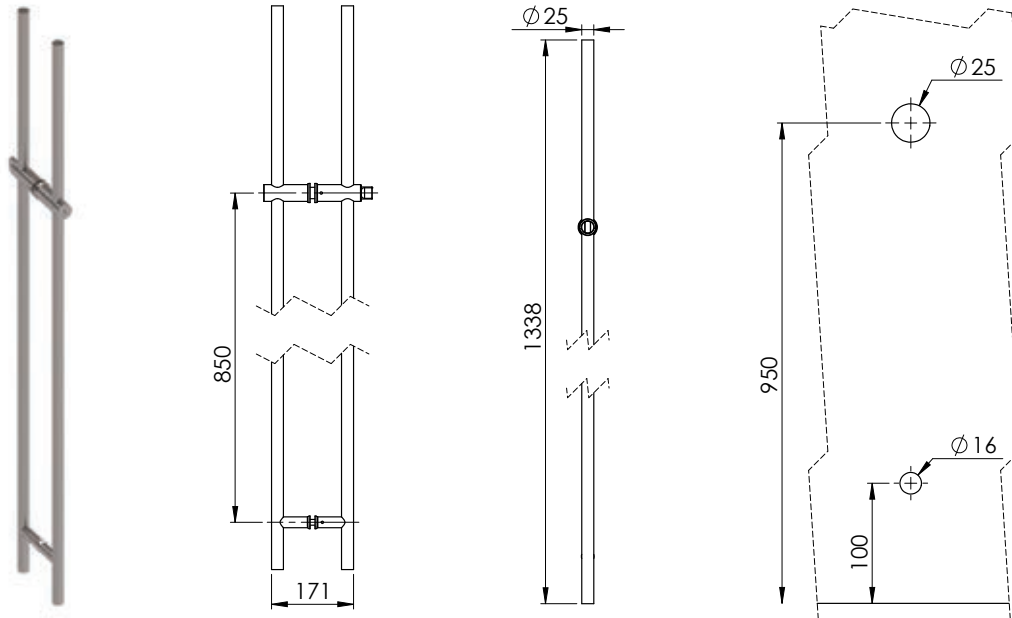
Code	CTC of Holes	Hole Size	Tube Size	Material	Finish
PHT-300S	300mm	14Ø	19mm	S/S 304	Brushed
PHT-450S	450mm	14Ø	19mm	S/S 304	Brushed



# LOCKING LADDER PULL HANDLES

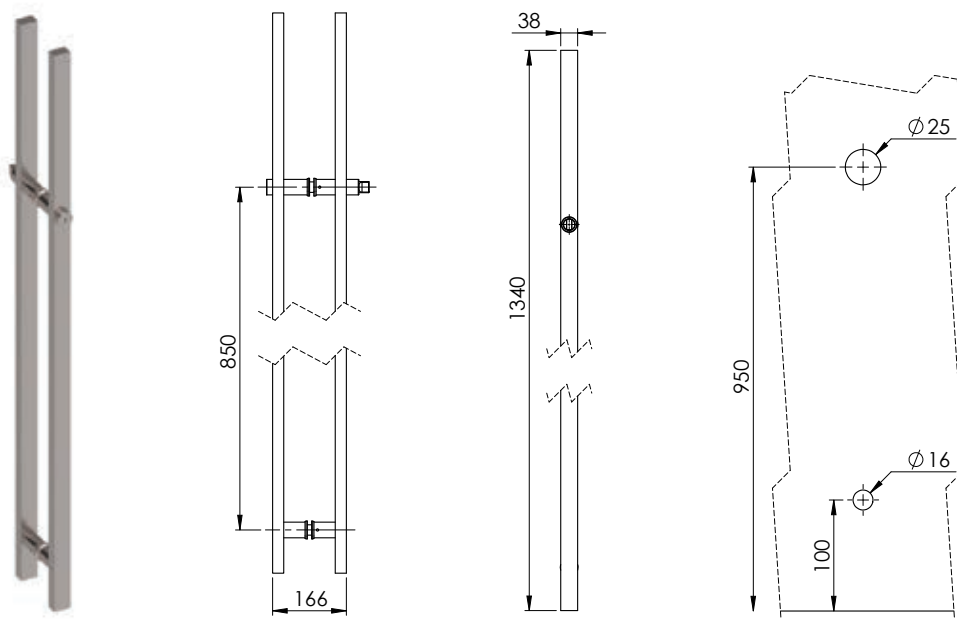
## SQUARE LOCKING LADDER PULL HANDLE

Code	CTC of Holes	Material	Finish
LPHS-850S	850mm	S/S 304	Brushed



## ROUND LOCKING LADDER PULL HANDLE

Code	CTC of Holes	Material	Finish
LPHR-850S	850mm	S/S 304	Brushed





# easy slider

The exposed mechanism of this system gives it a modern industrial look. With the option to mount to glass or to a wall this is the ideal slider to use for entrances, especially for offices and room divisions.

**EASY SLIDER**

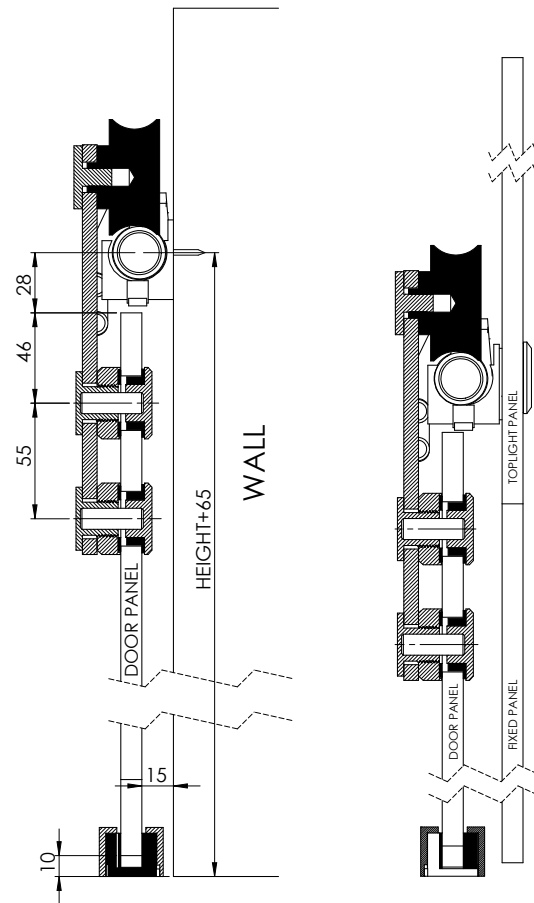
**Specifications**

- Glass Thickness: 10-12mm
- Max Door Width: 1100
- Max Door Height: 2600
- Max Door Weight: 100kg
- Material: S/S 304
- Finish: Brushed

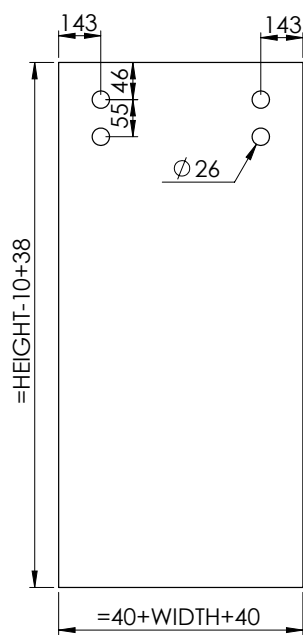
**COMPONENTS**



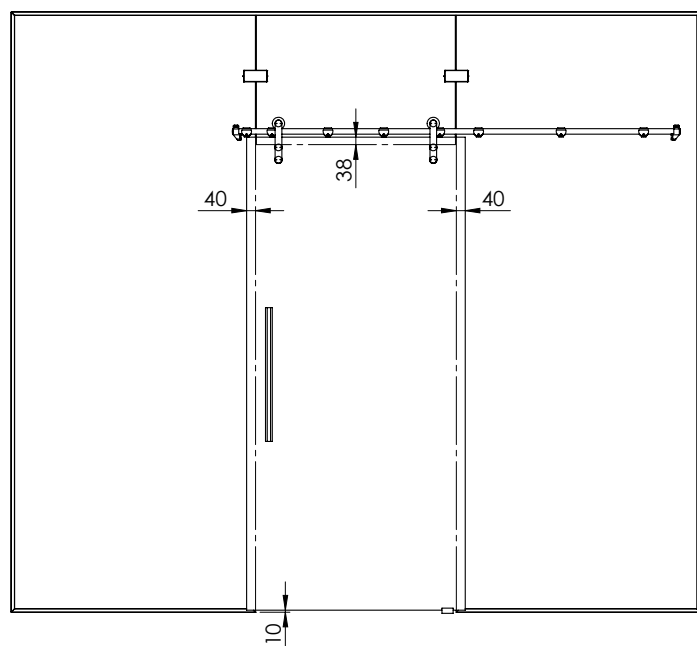
**SHOP DRAWINGS**



**GLASS CUT OUT DETAILS**



**OVERVIEW**



# clearview



For a stunning view of the surroundings the Clearview system offers an unobstructed barrier that can open fully. This is ideal for internal use or for undercover patios and can even be used for stacking windows in a separated outside area.



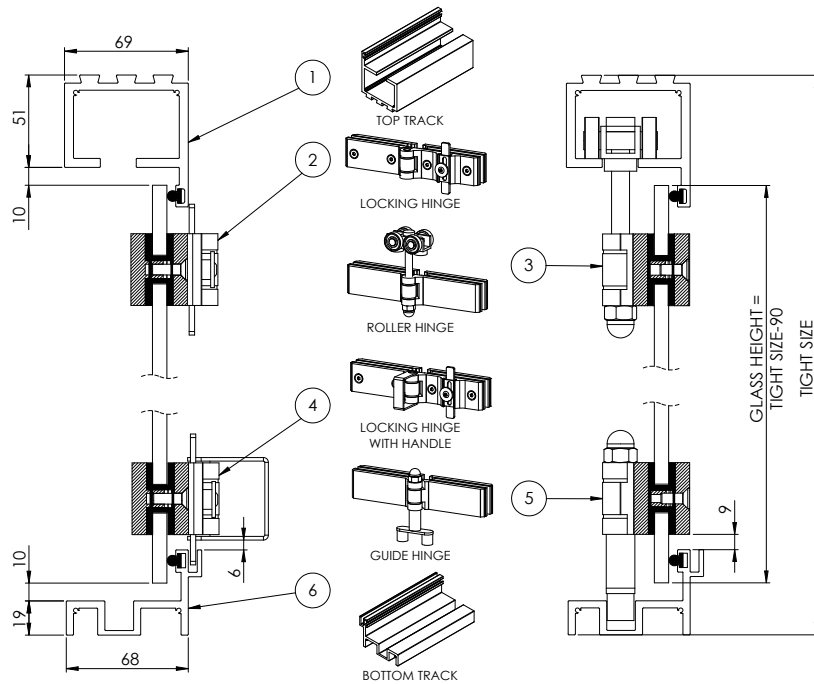
**SLIDING FOLDING - CLEARVIEW** **COMPONENTS**

**Specifications**

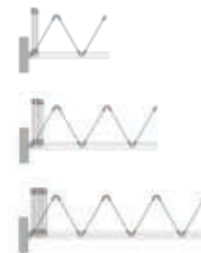
- Glass Thickness: 8 - 10mm
- Max Door Height: 8mm Glass: 2.4m  
10mm Glass: 3m
- Third Hinges required at 2.4m high
- Top Hung rollers
- Floor Track Options: Recessed U-Channel  
Step Down Track
- Finish: Tracks: Mill  
Hardware: Natural Light Grey Powder coat
- Material: Aluminium
- Max recommended leaves stacked to one side: 7
- Leading door can operate independently
- Slide bolt locking mechanism



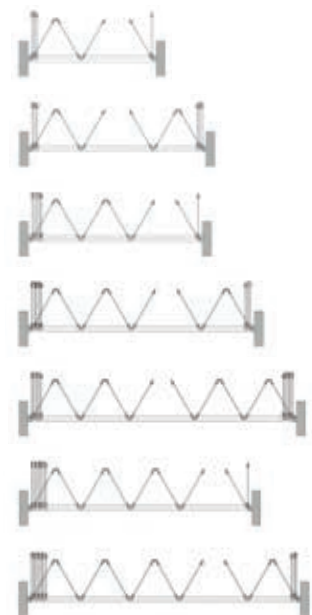
**SHOP DRAWINGS** **FOLDING OPTIONS**



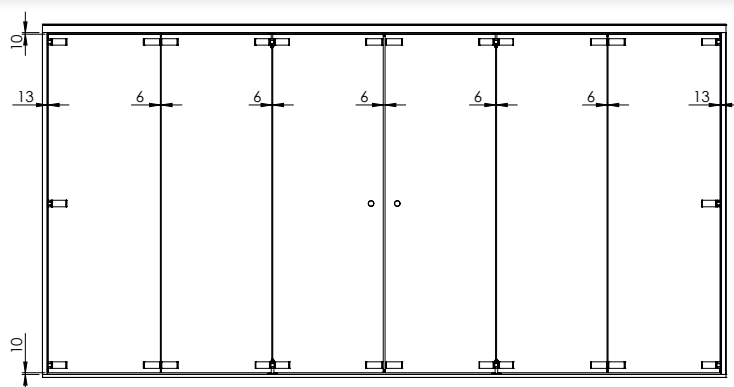
**Single Stack**



**Double Stack**

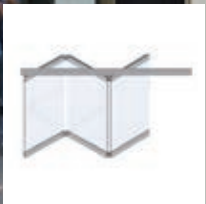


**OVERVIEW**



# arena

The newest addition to the Schematech family, this system is an industrial grade stacking system designed to hold large and heavy doors and create large expansive openings that can be completely opened. Ideal for use in shopping centres.

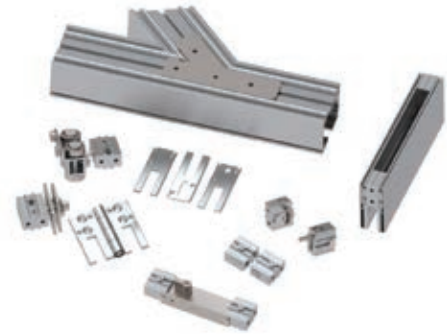


**SLIDING STACKING - AREMA**

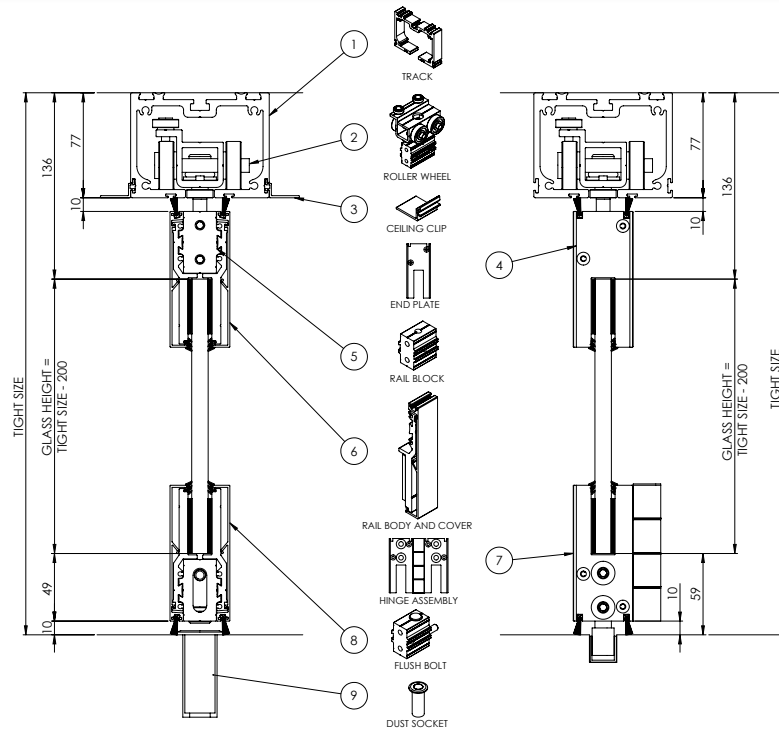
**Specifications**

- Glass Thickness: 10 - 15mm
- Max Panel Width: 1200mm
- Max Panel Height: 3500mm
- Max Panel Weight: 150kg
- Rail Components with interlocking dovetail design.
- Glass Rail with bolt through fittings
- Soffit bracket allows for suspended installation
- Pivot Set (Stacking option)
- Top Hung Rollers
- Various stacking options for unique situations
- Finish available in bronze, charcoal, white and matt black powder coat.

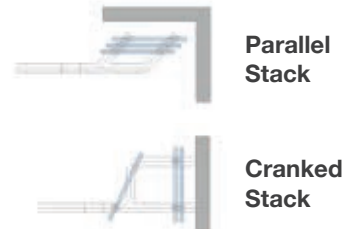
**COMPONENTS**



**SHOP DRAWINGS**



**STACKING OPTIONS**

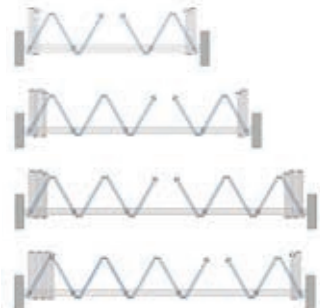


**FOLDING OPTIONS**

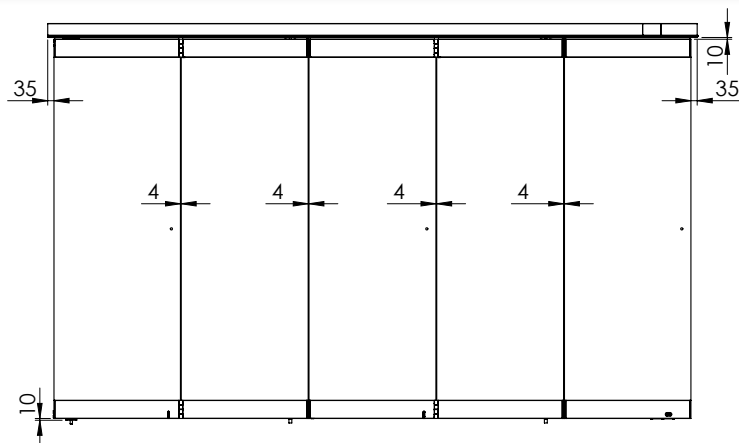
**Single Stack**



**Double Stack**



**OVERVIEW**



# clearshield

ORDINARY  
GLASS

CLEARSHIELD  
ECO-GLASS®

Hard water creates unsightly and resistant water spots on unprotected glass. The limescale from the hard water etches the surface of the glass, and high levels of humidity accelerates the corrosion process. The build-up of dirt facilitates the development of bacteria. Cleaning becomes very hard - if not impossible - no matter how hard one tries, wasting much time and effort. The appearance of the glass can become completely spoiled, and even unhygienic.



## Benefits

- Resists limescale build-up and water spots.
- Is always easier to clean and keep clean, saving time and effort.
- Maintains pristine appearance.
- Hinders bacterial growth for a more hygienic environment.

The ClearShield® protection is effective in a multitude of environments because it resists limescale and is independently proven to have hygienic properties. It ensures that architectural glass remains as clean and shiny as the day it was bought, with the least possible effort.

## YIELDS FOR CLEARSHIELD CHEMICALS

Product	Dilution Ratio	Yield (sqm/500ml)
*Glass Protect FI	No Dilution	50
*Neutraliser FI	No Dilution	50
Sandblast Glass Protect	No Dilution	13
Pre-Cleaner concentrate	20:01	65
Clean All concentrate	20:01	65
Limescale Remover	No Dilution	25

\* When treating large batch areas at a time

# CLEARSHIELD APPLICATION TO PROTECT CLEAR GLASS

**SUMMARY VERSION:** There are No shortcuts. EVERY step needs attention.

## 1. PRE-CLEANER



### DO A WATER FLATTENING TEST:

**If OK:** Rinse with clean water, squeegee dry, including frames, and go to #2.

**If NO:** Repeat # 1, but you can add some pre-cleaner concentrate directly onto the T-Bar. Agitate the surface, keeping it wet/ moist; check for **water flattening**. **If flattening, move to #2 after rinsing.**

- ! After rinsing and squeegee'ing down, ensure all edges are **completely dry !!**
- Move all the pre-cleaner and wet T-Bars etc away from the glass now.

## 2. NEUTRALISER

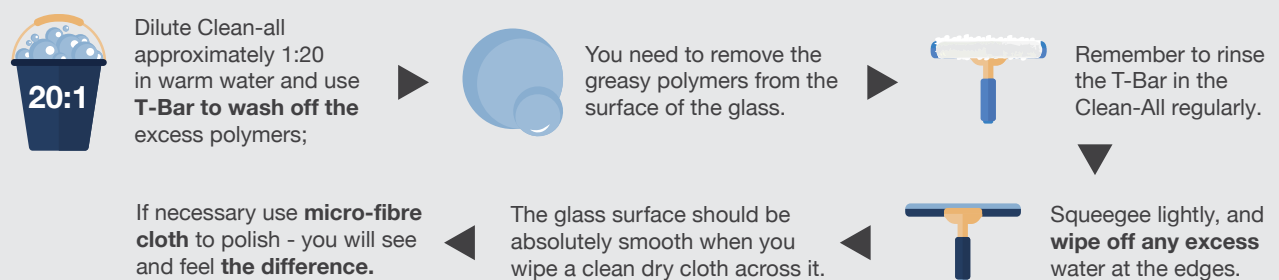


\* Don't delay with this. It is straight forward and quick.

## 3. SHOWER GLASS PROTECT



## 4. CLEAN-ALL



\*Please wash the cloths provided in fresh, clean warm diluted Clean-All, rinse in clean water and dry very well. Store them in a clean environment for the next application.



# vitrocoat

Vitrocoat is a chemical adhesion promoter that allows for the durable and economical back painting of glass. Popular architectural applications for coloured glass include showers, kitchen splash-backs, worktops, wall cladding & ceiling panels. Glass is a practical and hygienic surface for cleaning. Consider complementing your coloured glass project with our Clearshield non-stick surface technology for even easier maintenance and durability.



Vitrocoated glass can be cut, drilled and edge polished without chipping the coating. Furthermore, Vitrocoated glass can be bonded to most substrates with commonly available building adhesives, without the risk of solvent attack. The system involves the use of readily available two part paints, together with Vitrocoat in one simple application.



**Glass treated with the Vitrocoat system is resistant to:**

- **Water** - can be used in wet areas such as kitchens & bathrooms.
- **Abrasion** - The coating has high adhesion and toughness.
- **UV** - samples have been exposed to accelerated UV exposure tests without any detectable change.

“Vitrocoated” glass has been rigorously tested to international standards of performance. ASTM test results from internationally reputed laboratories are available on request.

# smart shopfront

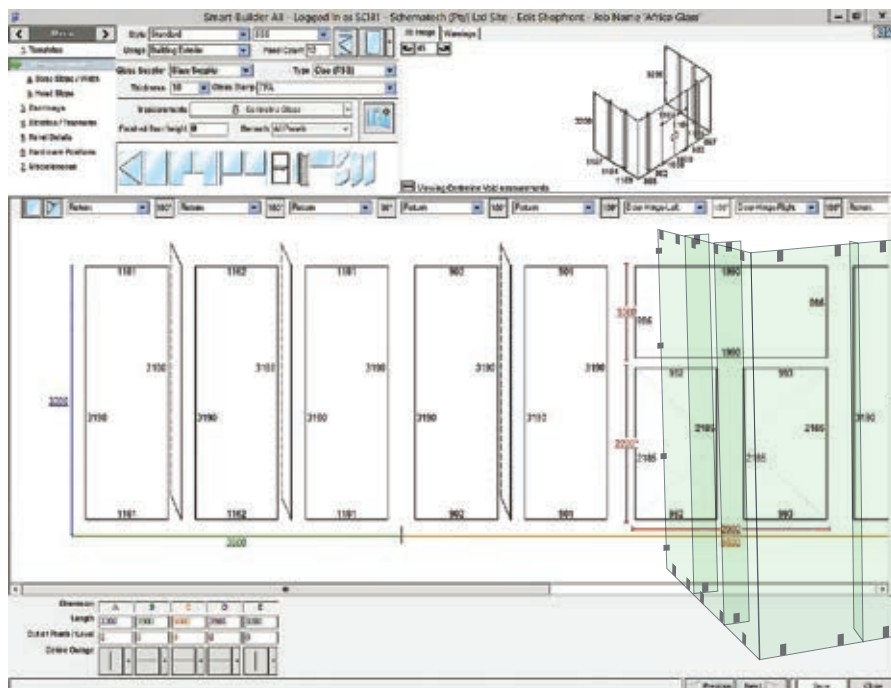
## TECHNICAL SOFTWARE

**Smart-Shopfront offers a complete design system for frameless glass shopfronts and internal partitions. The beauty is how flexible and responsive it is.**

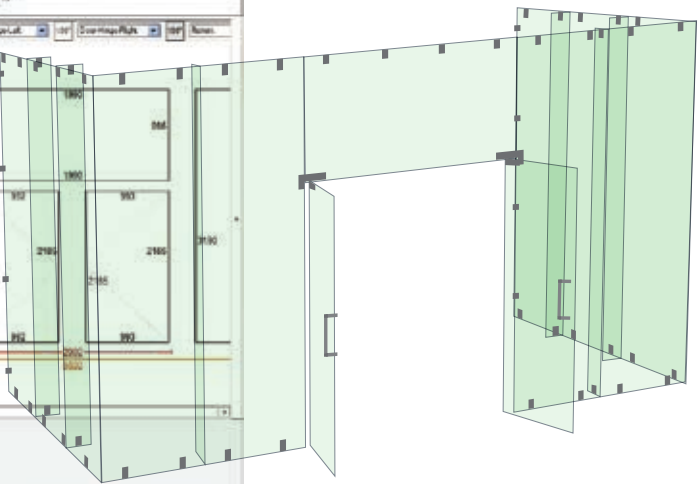
A full range of hardware and architectural features are supported including patch, rail and side hinged doors, sliding doors, fins, transoms, curved glass, nib walls, notches, corners and rakes. Because Smart-Shopfront is flexible, it automatically recalculates the hardware and glass requirements as you change your design details.

### Features

- Smart-Shopfront hardware is automatically rebuilt in response to any changes you make.
- Multiple entrance ways can be entered into a single design.
- Glass orders can automatically reference and attach template drawings for complex cut-outs.
- You can easily build a library of completed shop fronts to copy and modify for ultrafast design.
- Available as standalone, networked or on the internet.



**Save costs  
Gain control**



## Key benefits of SMART-SHOPFRONT and SMART-BUILDER SOFTWARE

- Speed of quoting • Compatible hardware • Save on glass • Record keeping • Attractive 3D drawing • Easy installation



# smart balustrade

## TECHNICAL SOFTWARE

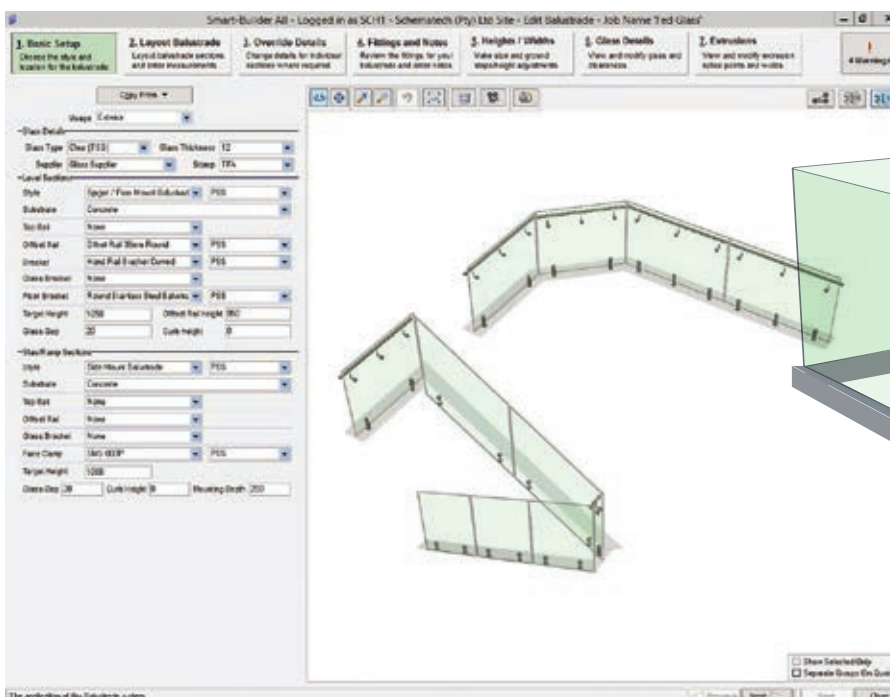
Want to change the balustrade layout or style? Smart-Balustrade will automatically recalculate hardware requirements and glass details for you.

Smart-Balustrade supports a wide range of balustrade hardware styles including base channel, forks, face clamps and post support systems with top caps, offset hand rails or both.

### Features

- Change quote details with the touch of a button.
- Automatic pricing of glass.
- Wide range of detail options for railing and mounting.
- Custom laminate can be specified for glass infills.
- Balustrades can be displayed as plan views, in full colour 3D or in outline 3D.
- Available as standalone, networked or on the internet.

**Increase sales  
Improve efficiency**



# made to measure

## TECHNICAL SOFTWARE

Schematech's technical software program, "Made to Measure" makes each step in manufacturing a custom shower fast and professional.

Among other technical features Made to Measure is capable of handling the following:

- Out-of-square walls
- Nib-walls
- Up-stands
- Over-bath enclosures
- Top-lights
- Overhangs
- Inconsistent floor levels

### Safety First

Made to Measure checks each shower design automatically and makes suggestions based on broadly accepted industry safety standards.

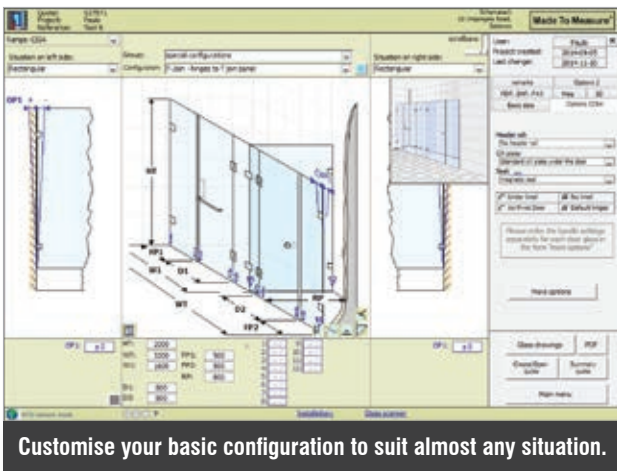


Contact us to find out how buying your glass or hardware from participating companies can qualify you to get all our software for free!

With the made to measure software you can:

## Design even the most difficult of shower enclosures

- Choose a hardware range from an existing supplier or define your own.
- Use our extensive library of shower configurations as a starting point.
- Customise your basic configuration to suit almost any on-site requirement.



Customise your basic configuration to suit almost any situation.

## Provide customers with deal-clinching proposals

- Automatically generate professional and accurate quotations.
- Include to-scale 3d-renderings of your shower designs.
- Impress customers with detailed specification pages.

To scale 3d-rendering automatically appends to the customer quotation.

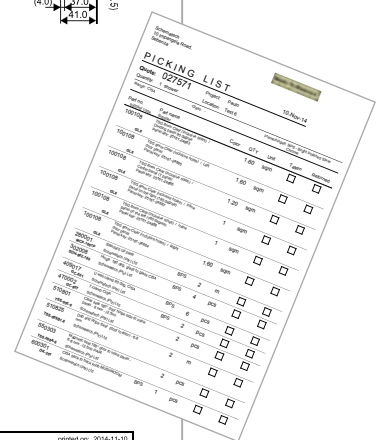
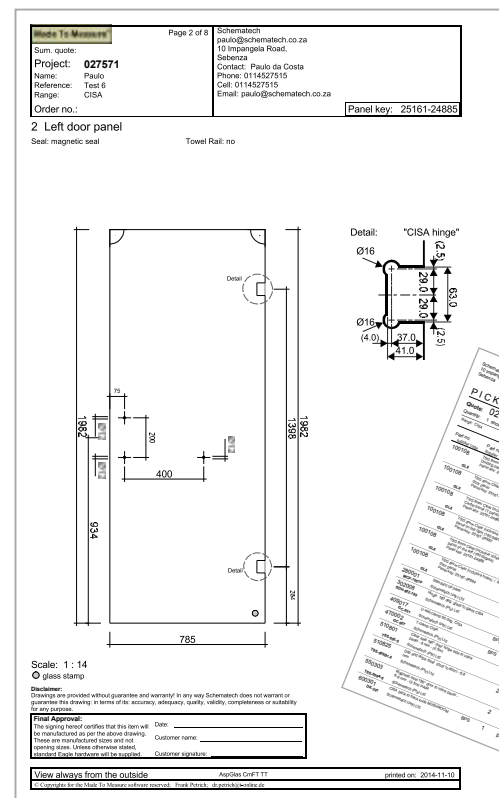


## Gain keen insights into your business

- A full-featured workflow module helps you keep track of procurement and installation.
- Built-in sales reports break down every aspect of a sales representative's performance.
- Full Pastel integration allows for accurate financial reporting at the project level.

## Compile technical drawings and parts lists in an instant!

- Send exact glass drawings to glass tougheners straight from Made to Measure in either PDF or DXF.
- Export technical drawings to CAD.
- Rely on manufacturer defaults or use editable parameters to tightly control the deductions applied to glass drawings.
- Prepare your purchase orders and send as per your own supplier designation.
- Make use of our picking list to break down where each part is used in the construction of your enclosure.



Custom showers made easy



**Gauteng Office**

+27 11 452 7515  
16 Kyalami Blvd,  
Kyalami Business Park,  
Midrand, 1684.

**Cape Town Office**

+27 21 531 4100  
Unit D3 Spearhead Business Park,  
Corner Montague Drive & Freedom Way,  
Montague Gardens, 7441.

**Website**

[www.schematech.co.za](http://www.schematech.co.za)